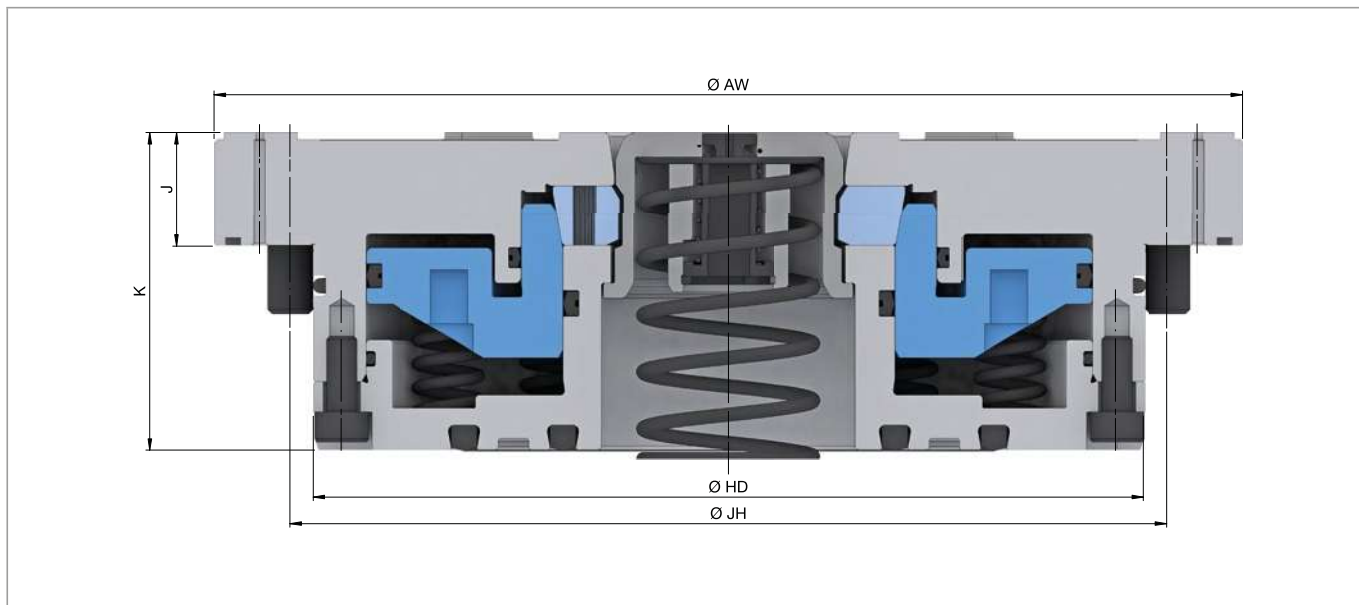


DOCKLOCK ZERO-POINT CLAMPING SYSTEM

DockLock AC

DockLock AC autoairline flanged cylinder. Technical data



Size		20
Min. draw-in force [kN]		12,5
Min. holding power [kN]		40
Repeatability ≤ [mm]		0,005
Outer Ø [mm]	AW	136
Outer Ø 2 [mm]	HD	110
Overall height [mm]	K	42
Height [mm]	J	15
Bolt hole circle [mm]	JH	120
Max. release pressure [bar]		12
Release		Pneumatic
Air-blast cleaning		Yes
Air-blast support isles		Yes
Piston position control		Yes
Air sensing control		Yes
Weight [kg]		3,5
In stock		✓
Material no.		10020667

