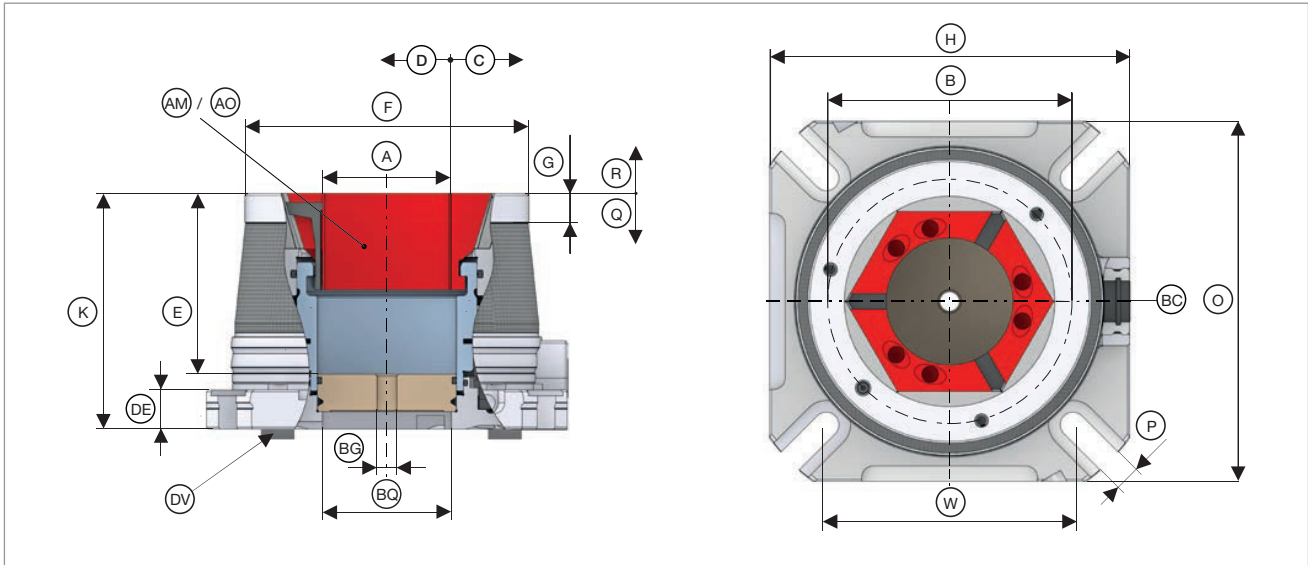




STATIONARY CLAMPING DEVICES

Manual stationary chuck MANOK plus

Manual stationary chuck MANOK plus CFK SE. Technical data



Product line	SE	
Size	52	65
Clamping range [mm]	A 3 – 52	65 3 – 65
Repeatability [mm]	0,010	
Max. radial clamping force [kN]	108	120
Max. axial drawtube force [pull / push] [kN]	40	45
Max. actuating torque [Nm]	BC 75	90
Release stroke in Ø [mm]	C 0,6	
Reserve stroke in Ø [mm]	D 1	
Reserve stroke axial [mm]	Q 2	
Release stroke axial [mm]	R 2,5	
Location front end-stop	F Ø 125 f7	Ø 145 f7
Centering length [mm]	G 15	
Bolt hole circle end-stop	B LK Ø 107 [3 x M6]	LK Ø 126 [3 x M6]
End-stop depth [mm]	E 90	92
End-stop thread size [M]	BG 10	12
Ø Capacity [mm]	BQ 53	66
Length [mm]	H 161	184
Overall height [mm]	K 115	120
Width [mm]	O 161	184
Screw connection width [mm]	P 13	
Clamping edge height [mm]	DE 15	
Bolt hole distance [mm]	W 120	126
Groove seat	DV 14 H7	20 H7
Clamping head serrated	AM TOP 52	TOP 65
Clamping head smooth	AO TOP 52 G	TOP 65 G
Weight [kg]	7	10,3
In stock	✓	✓
Order no.	10567/0002	10567/0003

Clamping heads	Adaptations I.D. clamping	Adaptations jaw clamping	Magnet module	Accessory overview
Page 358	Page 240	Page 286	Page 300	Page 396

Scope of delivery

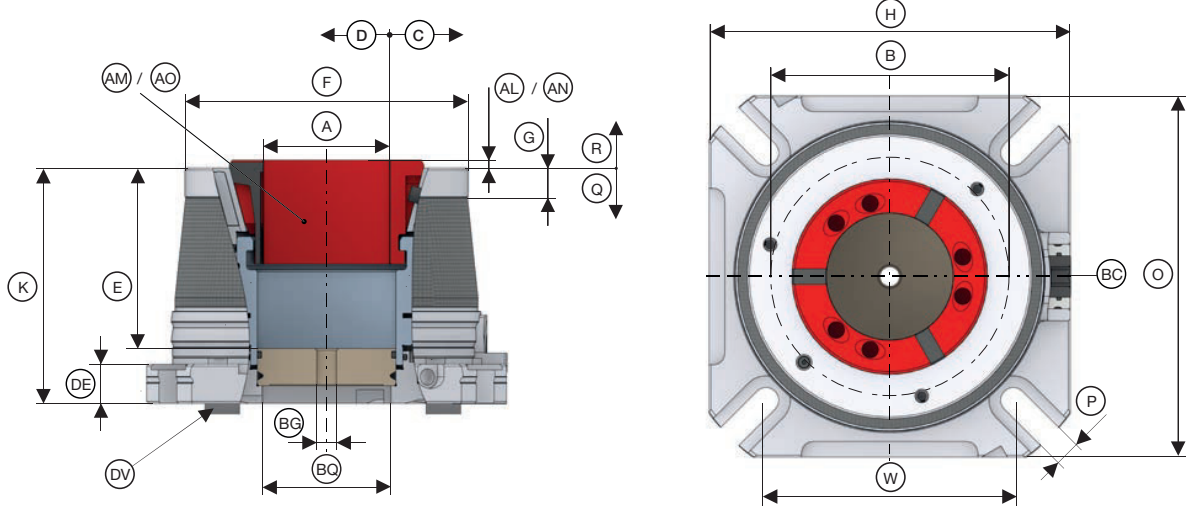
- Stationary chuck
- Base end-stop
- Actuation tool



STATIONARY CLAMPING DEVICES

Manual stationary chuck **MANOK plus**

Manual stationary chuck **MANOK plus CFK RD**. Technical data



Product line	RD	
Size	52	65
Clamping range [mm]	A 3 – 52	3 – 65
Repeatability [mm]		0,010
Max. radial clamping force [kN]	94	105
Max. axial drawtube force [pull / push] [kN]	40	45
Max. actuating torque [Nm]	BC 75	90
Release stroke in Ø [mm]	C	0,6
Reserve stroke in Ø [mm]	D	1
Reserve stroke axial [mm]	Q	2
Release stroke axial [mm]	R	2,5
Location front end-stop	F Ø 125 f7	Ø 145 f7
Centering length [mm]	G	15
Bolt hole circle end-stop	B LK Ø 107 [3 x M6]	LK Ø 126 [3 x M6]
End-stop depth [mm]	E 90	92
End-stop thread size [M]	BG 10	12
Ø Capacity [mm]	BQ 53	66
Length [mm]	H 161	184
Overall height [mm]	K 115	120
Width [mm]	O 161	184
Screw connection width [mm]	P	13
Clamping edge height [mm]	DE	15
Bolt hole distance [mm]	W 120	126
Groove seat	DV 14 H7	20 H7
Clamping head serrated	AM	SK 52 BZI
Clamping head protrusion length serrated [mm]	AL 4	9
Clamping head smooth	AO SK 52 BZIG	SK 65 BZIG
Clamping head protrusion length smooth [mm]	AN	4
Weight [kg]	7	10,3
In stock	✓	✓
Order no.	10565/0002	10565/0003

Clamping heads	Adaptations I.D. clamping	Adaptations jaw clamping	Magnet module	Accessory overview
Page 366	Page 240	Page 286	Page 300	Page 396

Scope of delivery

- Stationary chuck
- Base end-stop
- Actuation tool

Stationary clamping devices
Adaptation clamping devices
Measuring technology/ Automation
Quick change-over systems
Special solutions
Clamping elements/ Accessories
Multi spindles