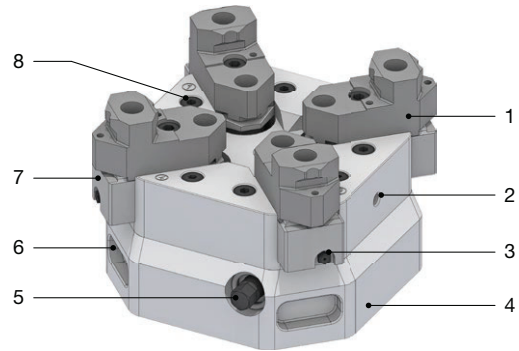


4-JAW CHUCK INOFLEX

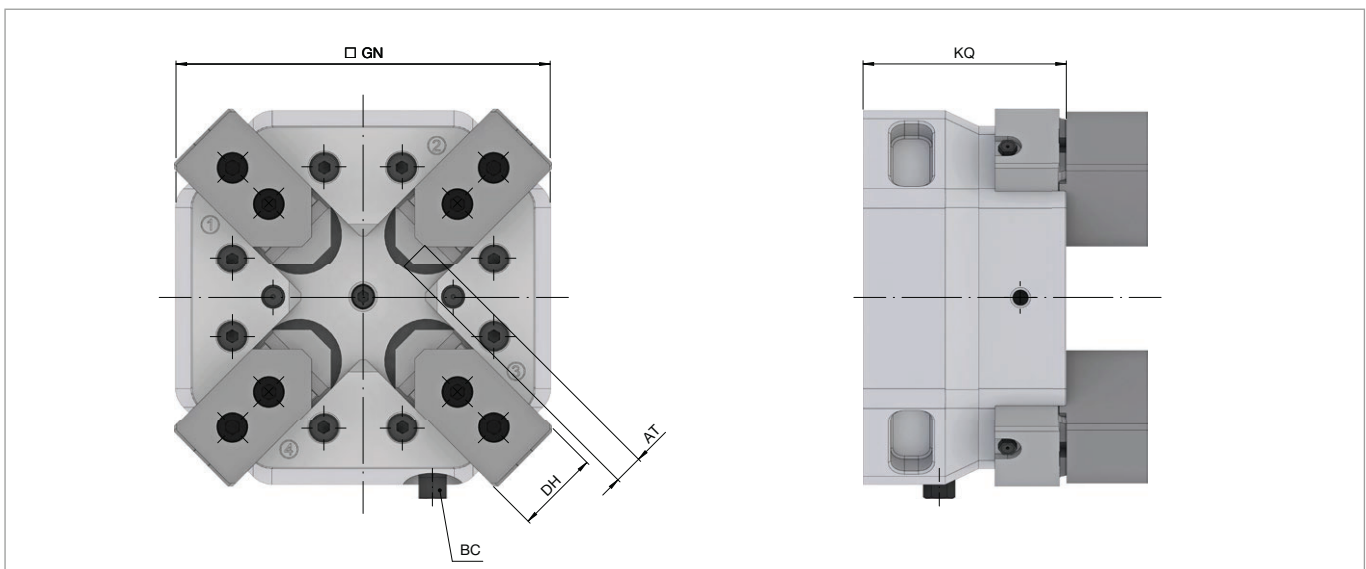
InoFlex for milling operations

InoFlex VF [centric clamping vise] in detail

Designation	
1	Adjustable top jaw with wedge profile toothing
2	Thread for transport lug
3	Grease nipple, for each jaw guide, for optimal lubrication
4	Stable base body
5	Manual actuation via socket wrench
6	Groove for fastening on machine table
7	Master jaw with wedge profile toothing for use with different top jaws
8	Mounting thread for positive stop jaws



InoFlex VF centric clamping vise. Technical data



Size	160	260
Variant	VF	
Repeatability ≤ [mm]	0,020	
Max. radial clamping force [kN]	40	70
Max. actuating torque [Nm]	100	180
RPM n max. [1/min.]	400	
Stroke per jaw [mm]	12,6	14,0
Compensating stroke for each jaw [mm]	11,6	13,0
Height without jaws [mm]	88,0	125,5
Jaw width [mm]	36	48
Outer dimension [mm]	162	235
Weight [kg]	13,0	44,5
In stock	✓	✓
Order no.	10015010	10015012

Scope of delivery

- Centric clamping vise
- Top jaws, soft
- Grease cartridge
- Actuation wrench