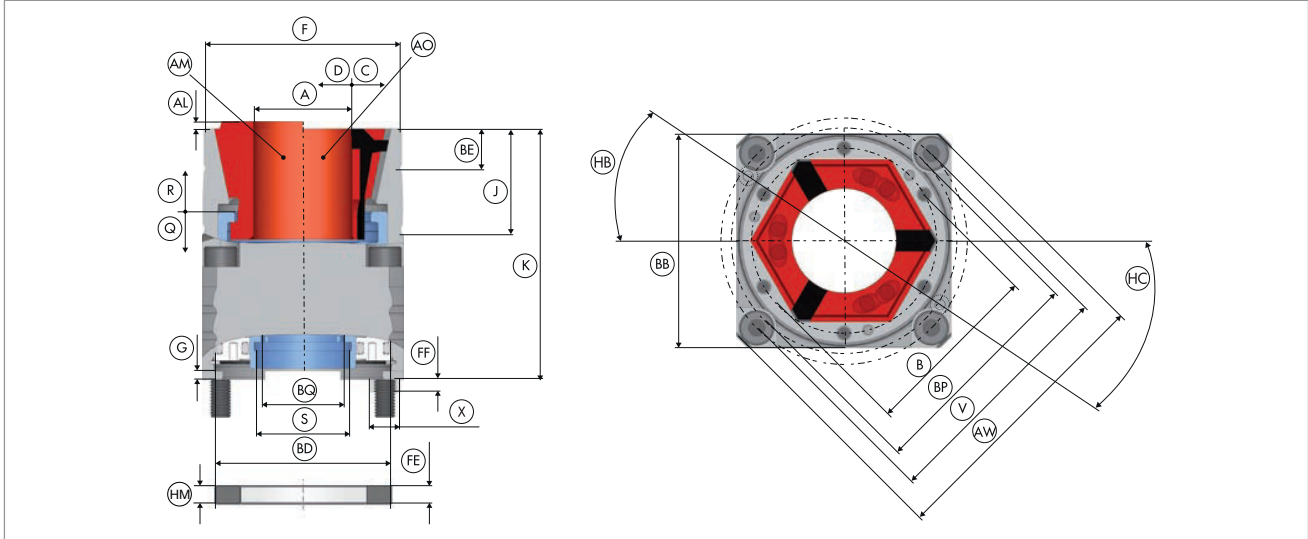




STATIONARY CLAMPING DEVICES

Hydraulic stationary chuck **HYDROK**

HYDROK SE size 40. Technical data



Product line	SE	
Size	40	
Clamping range [mm]	A	3 – 40
Repeatability [mm]		0,010
Max. axial drawtube force [pull / push] [kN]		27
Max. radial clamping force [kN]		75
Max. actuating pressure [bar]		110
Release stroke in Ø [mm]	C	0,5
Reserve stroke in Ø [mm]	D	0,8
Reserve stroke axial [mm]	Q	2
Release stroke axial [mm]	R	2
Location front end-stop	F	Ø 78 f7
Length flange location [mm]	BE	14
Bolt hole circle end-stop	B	LK Ø 69 [3 x M4]
Ø Capacity [mm]	BQ	33
Height [mm]	J	42,5
Overall height [mm]	K	100
Outer variant [mm]	BB	79,8
Connecting position [mm]	BP	82
Outer Ø [mm]	AW	106 h7
Bolt hole circle	V	LK Ø 92 [4 x M8]
Clamping via base plate [°]	HB	33
Release via base plate [°]	HC	33
Clamping head serrated	AM	TOP 40
Clamping head protrusion length serrated [mm]	AL	3
Clamping head smooth	AO	TOP 40 G
Centering height 1 [mm]	FE	7
Centering height 2 [mm]	FF	5
Interface	X	Ø 12 H7
Flange location	BD	Ø 70 H7/g7
Connecting thread inside	S	M38 x 1
Centering length [mm]	G	5
Installation depth [mm]	HM	5 +0,05
Weight [kg]		2,79
In stock		✓
Order no.		1121/0031

Through adaptation of the tandem cylinder to HYDROK 40 SE, the maximum clamping force of 75 kN can be achieved, even at 43 bar.



Stationary clamping devices

Adaptation clamping devices

Measuring technology/ Automation

Quick change-over systems

Special solutions

Clamping elements/ Accessories

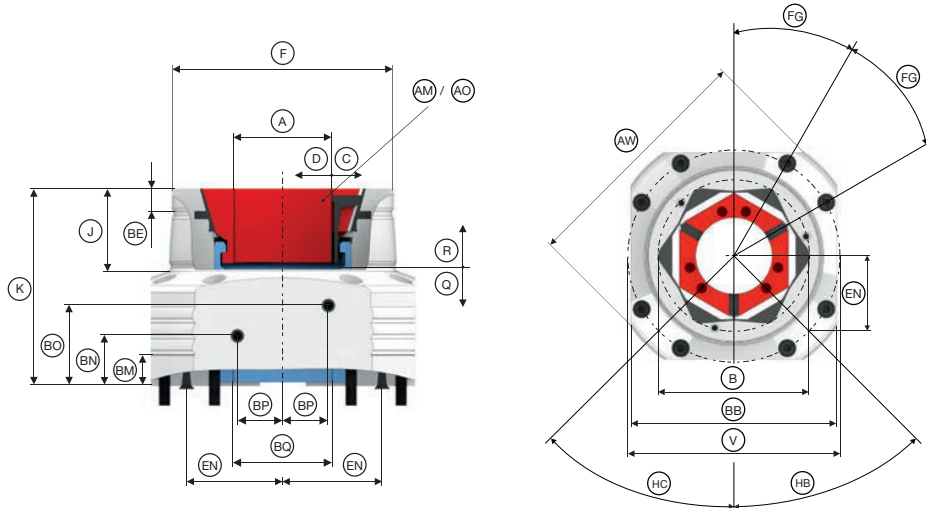
Multi spindles

STATIONARY CLAMPING DEVICES

Hydraulic stationary chuck HYDROK



HYDROK SE size 52 - 100. Technical data



Product line	SE			
Size	52	65	100	
Clamping range [mm]	A	3 – 52	3 – 65	15 – 100
Repeatability [mm]			0,010	
Max. axial drawtube force [pull / push] [kN]		35	45	65
Max. radial clamping force [kN]		91	120	172
Max. actuating pressure [bar]			40	
Release stroke in Ø [mm]	C		0,6	2
Reserve stroke in Ø [mm]	D		1	1,5
Reserve stroke axial [mm]	Q	2	2,15	3
Release stroke axial [mm]	R		2,5	5
Location front end-stop	F	Ø 125 f7	Ø 145 f7	Ø 215 f7
Length flange location [mm]	BE	9,5	12,5	15,5
Bolt hole circle end-stop	B	LK Ø 107 [3 x M6]	LK Ø 126 [3 x M6]	LK Ø 180 [3 x M8]
Ø Capacity [mm]	BQ	53	66	108
Height [mm]	J	39,6	54	55
Overall height [mm]	K	120	130	140
Outer variant [mm]	BB	154	174	230
Release	BN	38,1 [1/8"]	33,00 [1/8"]	38,9 [1/8"]
Clamping	BO	57,2 [1/8"]	53,00 [1/8"]	63 [1/8"]
Connecting position [mm]	BP	25		30
Fluid connection 1 [mm]	EN	55,5	63,6	84,9
Outer Ø [mm]	AW	175 f6	210 f6	270 f6
Bolt hole circle	V	LK Ø 157 [8 x M8]	LK Ø 180 [8 x M8]	LK Ø 240 [8 x M8]
Mounting seat fit length [mm]	BM		20	
Angle position [°]	FG		30	
Clamping via base plate [°]	HB		45	
Release via base plate [°]	HC		45	
Clamping head serrated	AM	TOP 52	TOP 65	TOP 100
Clamping head smooth	AO	TOP 52 G	TOP 65 G	TOP 100 G
Weight [kg]		12	14,5	26
In stock		✓	✓	✓
Order no.		1121/0030	1121/0002	1121/0008

Please note: At adaptation size 52 the adaptation for jaw clamping cannot be used.
Size 100 is also available in lightweight design [14 kg].

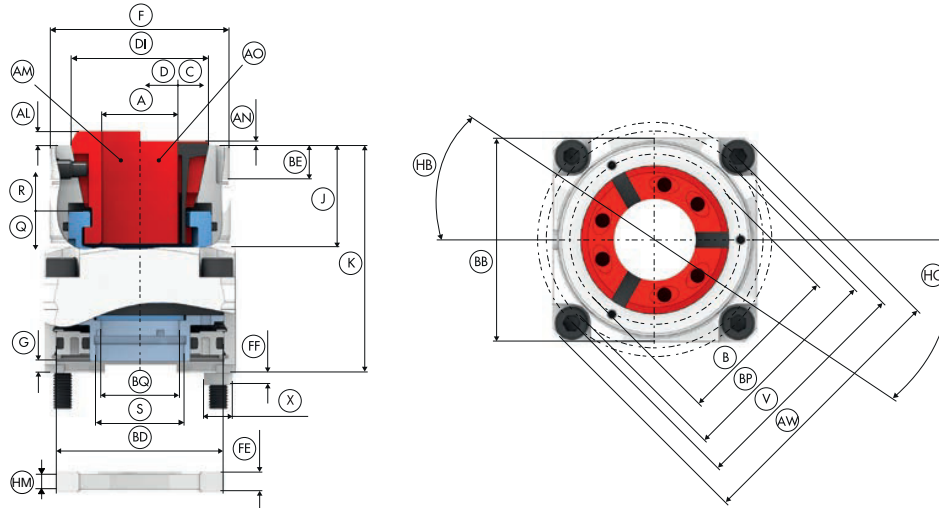
Clamping heads	Adaptations I.D. clamping	Adaptations jaw clamping	Magnet module	Accessory overview
Page 358	Page 240	Page 286	Page 300	Page 396



STATIONARY CLAMPING DEVICES

Hydraulic stationary chuck **HYDROK**

HYDROK RD size 32. Technical data



Product line	RD	
Size	32	
Clamping range [mm]	A	3 – 32
Repeatability [mm]		0,010
Max. axial drawtube force [pull / push] [kN]		25
Max. radial clamping force [kN]		70
Max. actuating pressure [bar]		100
Release stroke in Ø [mm]	C	0,6
Reserve stroke in Ø [mm]	D	1
Reserve stroke axial [mm]	Q	2,5
Release stroke axial [mm]	R	3
Location front end-stop	F	Ø 75 f7
Length flange location [mm]	BE	15
Bolt hole circle end-stop	B	LK Ø 67 [3 x M4]
Ø Capacity [mm]	BQ	33
Height [mm]	J	42
Overall height [mm]	K	95
Outer variant [mm]	BB	79,8
Connecting position [mm]	BP	82
Outer Ø [mm]	AW	106 h7
Bolt hole circle	V	LK Ø 92 [4 x M8]
Clamping via base plate [°]	HB	33
Release via base plate [°]	HC	33
Head Ø [mm]	DI	58
Clamping head serrated	AM	SK 32 BZI
Clamping head protrusion length serrated [mm]	AL	6
Clamping head smooth	AO	SK 32 BZIG
Clamping head protrusion length smooth [mm]	AN	3
Centering height 1 [mm]	FE	7
Centering height 2 [mm]	FF	5
Interface	X	Ø 12 H7
Flange location	BD	Ø 70 H7/g7
Connecting thread inside	S	M38 x 1
Centering length [mm]	G	5
Installation depth [mm]	HM	5 +0,05
Weight [kg]		2,69
In stock		✓
Order no.		1121/0029

By adapting the tandem cylinder on the HYDROK 32 the maximum clamping force of 70 kN can be reached already at 50 bar.



Stationary clamping devices

Adaptation clamping devices

Measuring technology/ Automation

Quick change-over systems

Special solutions

Clamping elements/ Accessories

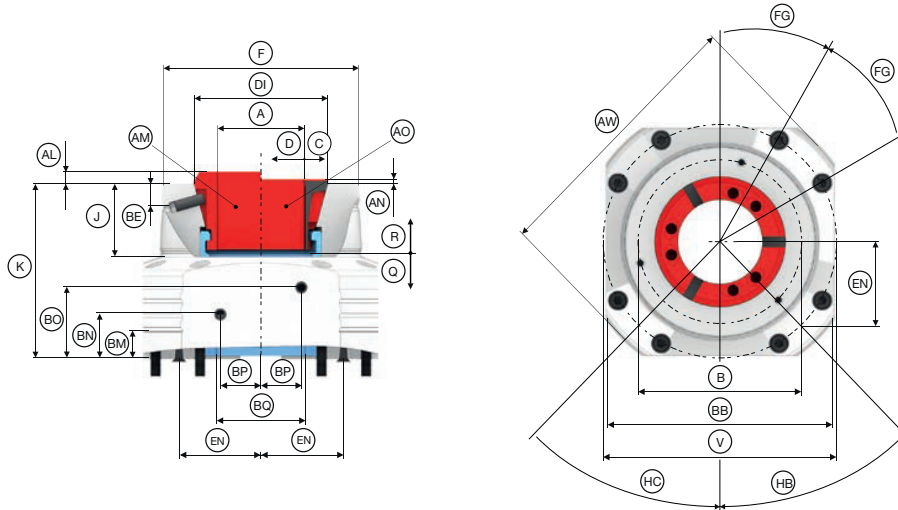
Multi spindles

STATIONARY CLAMPING DEVICES

Hydraulic stationary chuck HYDROK



HYDROK RD size 42 - 100. Technical data



Product line	RD					
Size	42	52	65	80	100	
Clamping range [mm]	A	3 – 42	3 – 52	3 – 65	5 – 80	15 – 100
Repeatability [mm]				0,010		
Max. axial drawtube force [pull / push] [kN]		35		45	50	65
Max. radial clamping force [kN]		80		105	115	150
Max. actuating pressure [bar]			40			
Release stroke in Ø [mm]	C		0,6			2,0
Reserve stroke in Ø [mm]	D		1			1,5
Reserve stroke axial [mm]	Q		2			3
Release stroke axial [mm]	R		2,5			5
Location front end-stop	F	Ø 125 f7		Ø 145 f7	Ø 160 f7	Ø 215 f7
Length flange location [mm]	BE	7,4		12,5	17,5	15,5
Bolt hole circle end-stop	B	LK Ø 107 [3 x M6]		LK Ø 126 [3 x M6]	LK Ø 139 [3 x M6]	LK Ø 180 [3 x M8]
Ø Capacity [mm]	BQ	47	53	66	81	108
Height [mm]	J	39			54	
Overall height [mm]	K	120			130	140
Outer variant [mm]	BB	154		174	186	229
Release	BN	38,1 [1/8"]			33 [1/8"]	38,9 [1/8"]
Clamping	BO	57,2 [1/8"]		53 [1/8"]	53,5 [1/8"]	63 [1/8"]
Connecting position [mm]	BP	25			30	
Fluid connection 1 [mm]	EN	55,5		63,6	68,6	84,85
Outer Ø [mm]	AW	175 f6		210 f6	215 f6	270 f6
Bolt hole circle	V	LK Ø 157 [8 x M8]		LK Ø 180 [8 x M8]	LK Ø 194 [8 x M8]	LK Ø 240 [8 x M8]
Mounting seat fit length [mm]	BM			20		
Angle position [°]	FG			30		
Clamping via base plate [°]	HB			45		
Release via base plate [°]	HC			45		
Head Ø [mm]	DI	80		99,5	115	144,5
Clamping head serrated	AM	SK 42 BZI	SK 52 BZI	SK 65 BZI	SK 80 BZI	SK 100 BZ
Clamping head protrusion length serrated [mm]	AL	9	4	9	4	
Clamping head smooth	AO	SK 42 BZIG	SK 52 BZIG	SK 65 BZIG	SK 80 BZIG	SK 100 BZG
Clamping head protrusion length smooth [mm]	AN			4		
Weight [kg]		12		15	17,5	29
In stock		✓	✓	✓	✓	✓
Order no.		1121/0003	1121/0004	1121/0001	1121/0005	1121/0006

Please note: At adaptation size 42 and 52 the jaw module cannot be used.
Size 100 is also available in lightweight design [14 kg].

Clamping heads Page 366	Adaptations I.D. clamping Page 240	Adaptations jaw clamping Page 286	Magnet module Page 300	Accessory overview Page 396