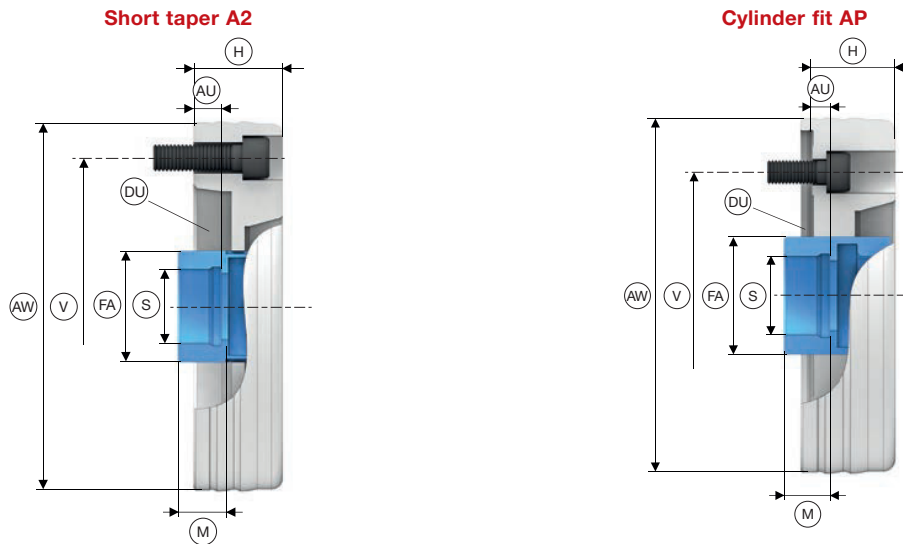


**mandoteX.** Machine adapter with short taper / cylinder fit



Spindle nose	DU	<b>A2-5</b>	<b>A2-6</b>	<b>A2-8</b>	<b>AP140</b>	<b>AP170</b>
<b>Length [mm]</b>	H	<b>40</b>			<b>35</b>	
Connecting thread inside	S	M35 x 1,5				
Depth of thread [mm]	M	19,5				
Position in clamped position [mm]	AU	14			9	
Outer Ø 2 [mm]	FA	50				
Repeatability [mm]		0,003				
Bolt hole circle	V	LK Ø 104,8 [6 x M10]	LK Ø 133,4 [6 x M12]	LK Ø 171,4 [6 x M16]	LK Ø 104,8 [6 x M10]	LK Ø 133,4 [6 x M12]
Outer Ø [mm]	AW	150	165	235	150	180
In stock		✓	✓	✓	✓	✓
Order no.		10646/0001	10646/0002	10646/0004	10646/0003	10646/0005

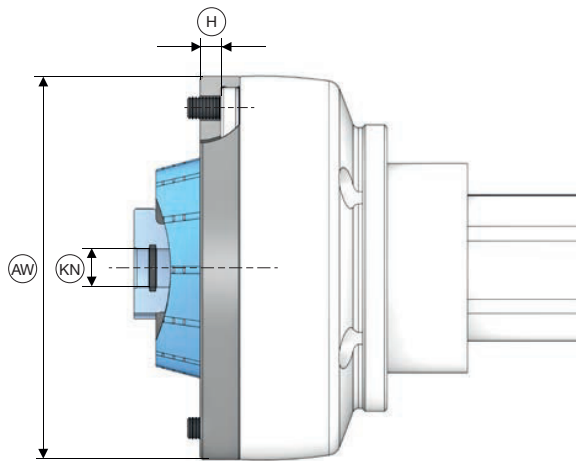
Machine spindle standard DIN 55026.

**Scope of delivery**

- Machine adapter
- Bayonet coupling

QUICK CHANGE-OVER SYSTEMS  
**centroteX / capteX / mandoteX**

**mandoteX.** Clamping device adapter

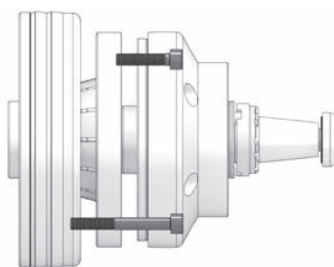


Size	<b>MANDO XXS – 4 / MAXXOS A – F</b>	
<b>Clamping range [mm]</b>	<b>A</b>	<b>8 – 120</b>
Length [mm]	H	10
Air sensing control bore Ø [mm]	KN	14
Outer Ø [mm]	AW	139
In stock		✓
Order no.		10645/0001

**Scope of delivery**

- Clamping device adapter
- Bayonet coupling

**Mounting screws mandoteX**



Product	Suitable for	Scope of delivery	In stock	Order no.
Mounting screws	MANDO T211 size 0 – 3 MAXXOS T211 size A – F	3 x M8x30-1, 3 x M8x45-1	✓	11084/0001
	MANDO T211 size 4 MANDO T212 size XXS – 2	3 x M8x35-1, 3 x M8x50-1	✓	11084/0002
	MANDO T212 size 3	3 x M8x45-1, 3 x M8x60-1	✓	11084/0003
	MANDO T212 size 4	3 x M8x50-1, 3 x M8x65-1	✓	11084/0004