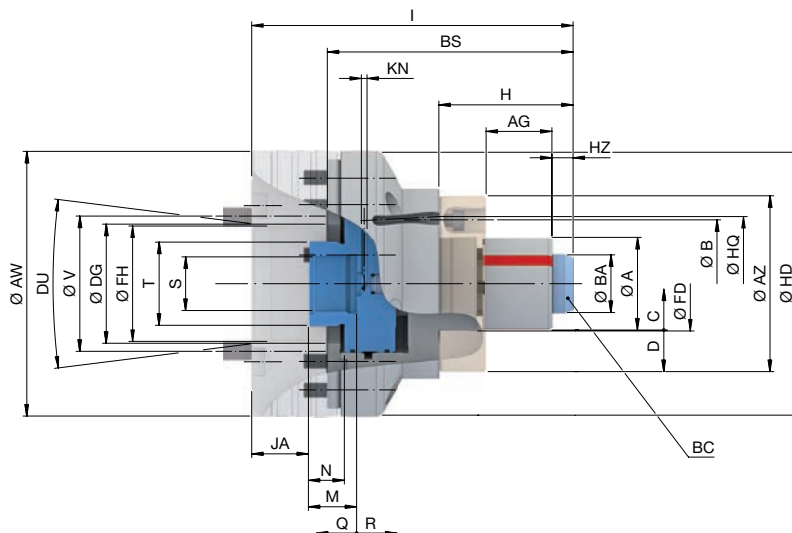




MAXXOS T211 size A. Technical data

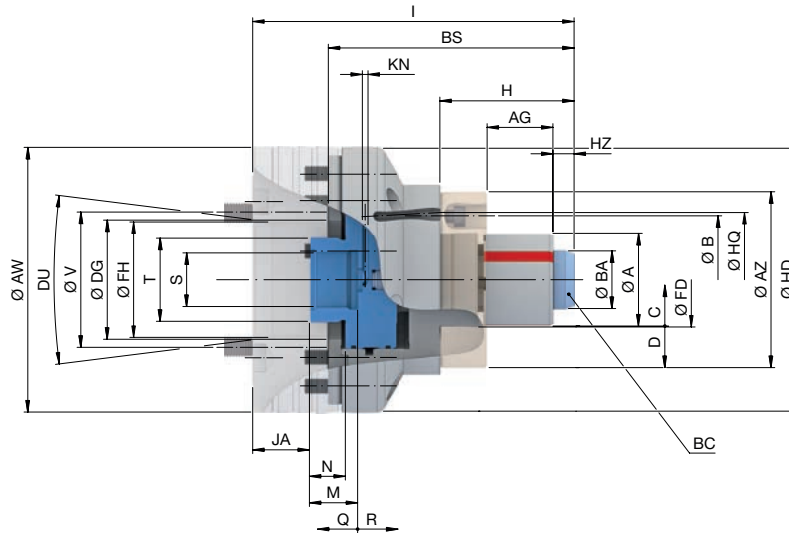


Size	A								
Clamping range [mm]	A	18 – 24							
Spindle nose	DU	A2-4	A2-5	A2-6	A2-8	AP120	AP140	AP170	AP220
Run-out ≤ [mm]		0,010							
Max. radial clamping force [kN]		27							
Max. axial drawtube force [pull / push] [kN]		7,5							
Max. clamping length [mm]	AG	20							
Reserve stroke in Ø [mm]	D	0,26							
Release stroke in Ø [mm]	C	0,18							
RPM n max. [1/min.]		7000							
Reserve stroke axial [mm]	Q	2							
Release stroke axial [mm]	R	2							
Max. actuating torque [Nm]	BC	7							
Draw bolt Ø [mm]	BA	17							
Draw bolt head height [mm]	HZ	7,5							
Reception workpiece end-stop	FD	Ø 32 f7							
End-stop outer Ø [mm]	AZ	65							
Bolt hole circle end-stop	B	LK Ø 50 [3 x M6]							
Length [mm]	H	40							
Length 2 [mm]	BS	100							
Total length [mm]	I	140		144		140			
Connecting thread inside	S	M30 x 1,5							
Connecting thread outside	T	M44 x 1,5							
Distance [mm]	JA	30		34		30			
Depth of thread [mm]	M	25,5							
Thread length [mm]	N	19							
Max. drawtube Ø [mm]	DG	54							
Minimum length of DG [mm]		13							
Bore-Ø	FH	61	79,6	103,2	100	77	80	103	
Bolt hole circle	V	LK Ø 82,6 [3 x M10]	LK Ø 104,8 [6 x M10]	LK Ø 133,4 [6 x M12]	LK Ø 171,4 [6 x M16]	LK Ø 104,8 [6 x M10]		LK Ø 133,4 [6 x M12]	LK Ø 171,4 [6 x M16]
Outer Ø [mm]	AW	140		165		210		140	150
Outer Ø 2 [mm]	HD	139							
Air sensing control bolt hole circle-Ø [mm]	HQ	58							
Air sensing control bore Ø [mm]	KN	3							
Central air sensing connection Ø optional [mm]		12 H7							
Weight [kg]		8,5	10,7	12,4	13,6	8,1	8,7	10,5	16,1





MAXXOS T211 size B. Technical data

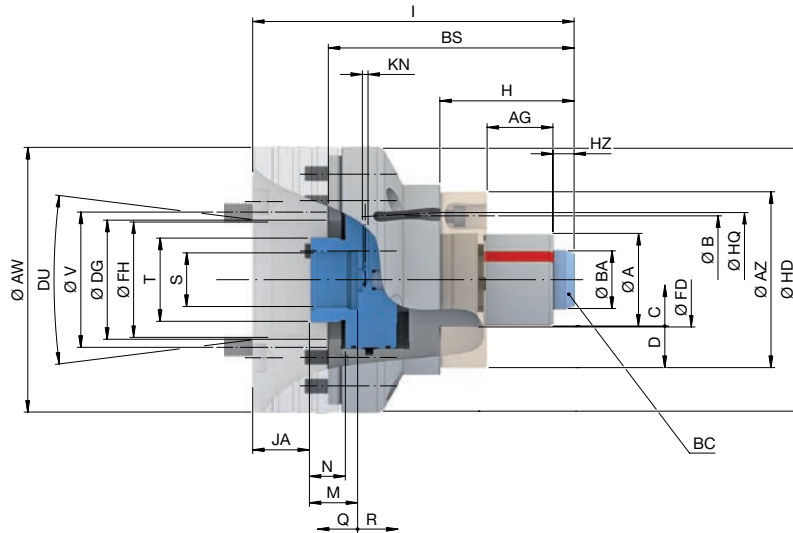


Size	B								
Clamping range [mm]	A	20 – 32							
Spindle nose	DU	A2-4	A2-5	A2-6	A2-8	AP120	AP140	AP170	AP220
Run-out ≤ [mm]		0,010							
Max. radial clamping force [kN]		36							
Max. axial drawtube force [pull / push] [kN]		10							
Max. clamping length [mm]	AG	22,5							
Reserve stroke in Ø [mm]	D	0,26							
Release stroke in Ø [mm]	C	0,17							
RPM n max. [1/min.]		7000							
Reserve stroke axial [mm]	Q	2							
Release stroke axial [mm]	R	2							
Max. actuating torque [Nm]	BC	10							
Draw bolt Ø [mm]	BA	19							
Draw bolt head height [mm]	HZ	7,5							
Reception workpiece end-stop	FD	Ø 32 f7							
End-stop outer Ø [mm]	AZ	65							
Bolt hole circle end-stop	B	LK Ø 50 [3 x M6]							
Length [mm]	H	40							
Length 2 [mm]	BS	100							
Total length [mm]	I	140							
Connecting thread inside	S	M30 x 1,5							
Connecting thread outside	T	M44 x 1,5							
Distance [mm]	JA	30							
Depth of thread [mm]	M	25,5							
Thread length [mm]	N	19							
Max. drawtube Ø [mm]	DG	54							
Minimum length of DG [mm]		13							
Bore-Ø	FH	61	79,6	103,2	100	77	80	103	
Bolt hole circle	V	LK Ø 82,6 [3 x M10]	LK Ø 104,8 [6 x M10]	LK Ø 133,4 [6 x M12]	LK Ø 171,4 [6 x M16]	LK Ø 104,8 [6 x M10]		LK Ø 133,4 [6 x M12]	LK Ø 171,4 [6 x M16]
Outer Ø [mm]	AW	140		165	210	140	150	180	230
Outer Ø 2 [mm]	HD	139							
Air sensing control bolt hole circle-Ø [mm]	HQ	64							
Air sensing control bore Ø [mm]	KN	3							
Central air sensing connection Ø optional [mm]		12 H7							
Weight [kg]		8,9	11,1	12,8	14	8,5	9,1	10,9	16,5





MAXXOS T211 size C. Technical data

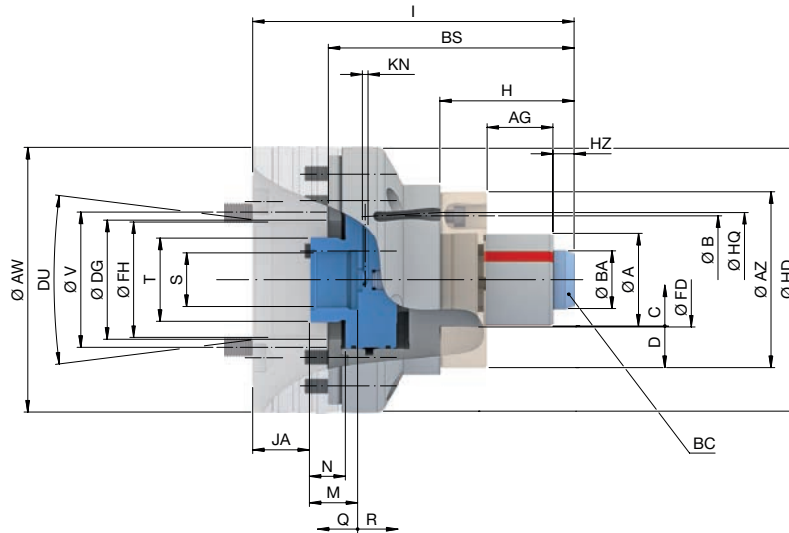


Size	C								
Clamping range [mm]	A	24 – 39							
Spindle nose	DU	A2-4	A2-5	A2-6	A2-8	AP120	AP140	AP170	AP220
Run-out ≤ [mm]		0,010							
Max. radial clamping force [kN]		51							
Max. axial drawtube force [pull / push] [kN]		16							
Max. clamping length [mm]	AG	24							
Reserve stroke in Ø [mm]	D	0,4							
Release stroke in Ø [mm]	C	0,26							
RPM n max. [1/min.]		7000							
Reserve stroke axial [mm]	Q	2							
Release stroke axial [mm]	R	2							
Max. actuating torque [Nm]	BC	15							
Draw bolt Ø [mm]	BA	23							
Draw bolt head height [mm]	HZ	11							
Reception workpiece end-stop	FD	Ø 41 f7							
End-stop outer Ø [mm]	AZ	69							
Bolt hole circle end-stop	B	LK Ø 55 [3 x M6]							
Length [mm]	H	53,5							
Length 2 [mm]	BS	110							
Total length [mm]	I	150		154		150			
Connecting thread inside	S	M30 x 1,5							
Connecting thread outside	T	M44 x 1,5							
Distance [mm]	JA	30		34		30			
Depth of thread [mm]	M	25,5							
Thread length [mm]	N	19							
Max. drawtube Ø [mm]	DG	54							
Minimum length of DG [mm]		13							
Bore-Ø	FH	61	79,6	103,2	100	77	80	103	
Bolt hole circle	V	LK Ø 82,6 [3 x M10]	LK Ø 104,8 [6 x M10]	LK Ø 133,4 [6 x M12]	LK Ø 171,4 [6 x M16]	LK Ø 104,8 [6 x M10]		LK Ø 133,4 [6 x M12]	LK Ø 171,4 [6 x M16]
Outer Ø [mm]	AW	140		165		210		140	150
Outer Ø 2 [mm]	HD	139							
Air sensing control bolt hole circle-Ø [mm]	HQ	64							
Air sensing control bore Ø [mm]	KN	3							
Central air sensing connection Ø optional [mm]		12 H7							
Weight [kg]		8,6	10,8	12,5	13,7	8,2	8,8	10,6	16,2





MAXXOS T211 size D. Technical data

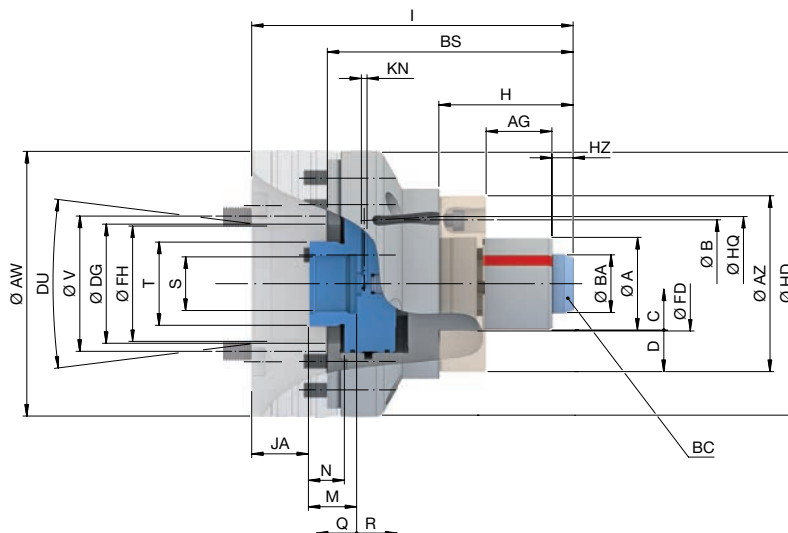


Size	D								
Clamping range [mm]	A	32 – 50							
Spindle nose	DU	A2-4	A2-5	A2-6	A2-8	AP120	AP140	AP170	AP220
Run-out ≤ [mm]		0,010							
Max. radial clamping force [kN]		70							
Max. axial drawtube force [pull / push] [kN]		22							
Max. clamping length [mm]	AG	35,3							
Reserve stroke in Ø [mm]	D	0,4							
Release stroke in Ø [mm]	C	0,3							
RPM n max. [1/min.]		7000							
Reserve stroke axial [mm]	Q	2							
Release stroke axial [mm]	R	2,5							
Max. actuating torque [Nm]	BC	20							
Draw bolt Ø [mm]	BA	30,5							
Draw bolt head height [mm]	HZ	11,2							
Reception workpiece end-stop	FD	Ø 50 f7							
End-stop outer Ø [mm]	AZ	93							
Bolt hole circle end-stop	B	LK Ø 78 [3 x M6]							
Length [mm]	H	71							
Length 2 [mm]	BS	130							
Total length [mm]	I	170		174		170			
Connecting thread inside	S	M30 x 1,5							
Connecting thread outside	T	M44 x 1,5							
Distance [mm]	JA	30		34		30			
Depth of thread [mm]	M	25,5							
Thread length [mm]	N	19							
Max. drawtube Ø [mm]	DG	62,5							
Minimum length of DG [mm]		13							
Bore-Ø	FH	61	79,6	103,2	100	77	80	103	
Bolt hole circle	V	LK Ø 82,6 [3 x M10]	LK Ø 104,8 [6 x M10]	LK Ø 133,4 [6 x M12]	LK Ø 171,4 [6 x M16]	LK Ø 104,8 [6 x M10]		LK Ø 133,4 [6 x M12]	LK Ø 171,4 [6 x M16]
Outer Ø [mm]	AW	140		165		210		140	150
Outer Ø 2 [mm]	HD	139							
Air sensing control bolt hole circle-Ø [mm]	HQ	82							
Air sensing control bore Ø [mm]	KN	3							
Central air sensing connection Ø optional [mm]		12 H7							
Weight [kg]		9,3	11,5	13,3	14,4	8,9	9,5	11,3	16,9





MAXXOS T211 size E. Technical data

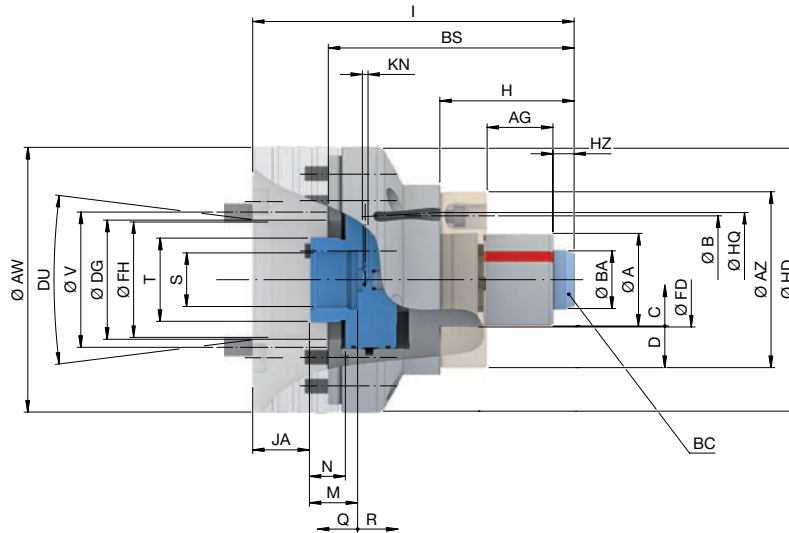


Size	E											
Clamping range [mm]	A	39 – 68										
Spindle nose	DU	A2-4	A2-5	A2-6	A2-8	AP120	AP140	AP170	AP220			
Run-out ≤ [mm]		0,010										
Max. radial clamping force [kN]		86										
Max. axial drawtube force [pull / push] [kN]		27										
Max. clamping length [mm]	AG	45,3										
Reserve stroke in Ø [mm]	D	0,4										
Release stroke in Ø [mm]	C	0,3										
RPM n max. [1/min.]		7000										
Reserve stroke axial [mm]	Q	2										
Release stroke axial [mm]	R	2,5										
Max. actuating torque [Nm]	BC	25										
Draw bolt Ø [mm]	BA	38										
Draw bolt head height [mm]	HZ	11,2										
Reception workpiece end-stop	FD	Ø 65 f7										
End-stop outer Ø [mm]	AZ	96										
Bolt hole circle end-stop	B	LK Ø 80 [3 x M6]										
Length [mm]	H	78										
Length 2 [mm]	BS	140										
Total length [mm]	I	180			184		180					
Connecting thread inside	S	M30 x 1,5										
Connecting thread outside	T	M44 x 1,5										
Distance [mm]	JA	30			34		30					
Depth of thread [mm]	M	25,5										
Thread length [mm]	N	19										
Max. drawtube Ø [mm]	DG	62,5										
Minimum length of DG [mm]		13										
Bore-Ø	FH	61	79,6	103,2	100	77	80	103				
Bolt hole circle	V	LK Ø 82,6 [3 x M10]	LK Ø 104,8 [6 x M10]	LK Ø 133,4 [6 x M12]	LK Ø 171,4 [6 x M16]	LK Ø 104,8 [6 x M10]		LK Ø 133,4 [6 x M12]	LK Ø 171,4 [6 x M16]			
Outer Ø [mm]	AW	140			165		210		140	150	180	230
Outer Ø 2 [mm]	HD	139										
Air sensing control bolt hole circle-Ø [mm]	HQ	84										
Air sensing control bore Ø [mm]	KN	3										
Central air sensing connection Ø optional [mm]		12 H7										
Weight [kg]		9,9	12,1	13,9	15	9,5	10,1	11,9	17,5			





MAXXOS T211 size F. Technical data



Size	F									
Clamping range [mm]	A	50 – 100								
Spindle nose	DU	A2-4	A2-5	A2-6	A2-8	AP120	AP140	AP170	AP220	
Run-out ≤ [mm]		0,010								
Max. radial clamping force [kN]		143								
Max. axial drawtube force [pull / push] [kN]		45								
Max. clamping length [mm]	AG	45,3								
Reserve stroke in Ø [mm]	D	0,4								
Release stroke in Ø [mm]	C	0,3								
RPM n max. [1/min.]		7000								
Reserve stroke axial [mm]	Q	2								
Release stroke axial [mm]	R	2,5								
Max. actuating torque [Nm]	BC	55								
Draw bolt Ø [mm]	BA	49								
Draw bolt head height [mm]	HZ	11,7								
Reception workpiece end-stop	FD	Ø 65 f7								
End-stop outer Ø [mm]	AZ	96								
Bolt hole circle end-stop	B	LK Ø 80 [3 x M6]								
Length [mm]	H	78								
Length 2 [mm]	BS	140								
Total length [mm]	I	180			184		180			
Connecting thread inside	S	M30 x 1,5								
Connecting thread outside	T	M44 x 1,5								
Distance [mm]	JA	30			34		30			
Depth of thread [mm]	M	25,5								
Thread length [mm]	N	19								
Max. drawtube Ø [mm]	DG	62,5								
Minimum length of DG [mm]		13								
Bore-Ø	FH	61	79,6	103,2	100	77	80	103		
Bolt hole circle	V	LK Ø 82,6 [3 x M10]	LK Ø 104,8 [6 x M10]	LK Ø 133,4 [6 x M12]	LK Ø 171,4 [6 x M16]	LK Ø 104,8 [6 x M10]		LK Ø 133,4 [6 x M12]	LK Ø 171,4 [6 x M16]	
Outer Ø [mm]	AW	140			210		140	150	180	230
Outer Ø 2 [mm]	HD	139								
Air sensing control bolt hole circle-Ø [mm]	HQ	84								
Air sensing control bore Ø [mm]	KN	3								
Central air sensing connection Ø optional [mm]		12 H7								
Weight [kg]		10,2	12,4	14,2	15,3	9,8	10,4	12,2	17,8	





Flanges for MAXXOS mandrels

Size	Figure	Spindle nose DU	Flange height [mm] AP	Interface X	Outer Ø [mm] AW	Bolt hole circle V	In stock	Material no.		
XXS - 4 / A - F		A2-4	40	Ø 131	140	LK Ø 82,6 [3 x M10]	✓	10014772		
		A2-5				77	LK Ø 104,8 [6 x M10]	✓	10014771	
		A2-6	85			LK Ø 133,4 [6 x M12]	✓	10014782		
			40						✓	10014770
			60						✓	10014783
		80	✓			10014784				
	100	✓	10014785							
	A2-8	44	LK Ø 171,4 [6 x M16]		✓	10014773				
		AP120	40		140	LK Ø 104,8 [6 x M10]	✓	10014774		
		AP140			150				✓	10014775
		AP170			180	LK Ø 133,4 [6 x M12]	✓	10014776		
		AP220			230	LK Ø 171,4 [6 x M16]	✓	10014777		

Machine spindle standard DIN ISO 702-1.