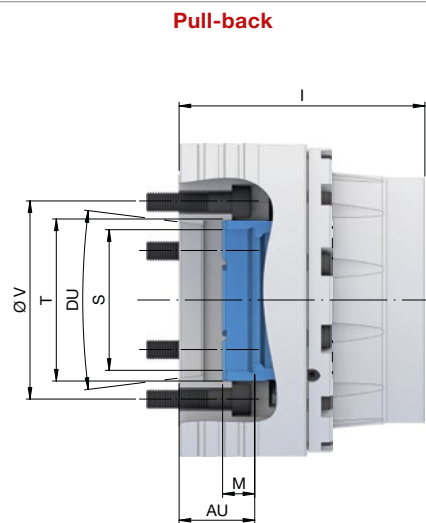


SPINDLE CONNECTION DATA

TOPlus premium chuck

TOPlus premium. Spindle connection data



Size	26		
Variant	Pull-back		
Spindle nose	DU	KK4	KK5
Total length [mm]	I	102	125
Depth of thread [mm]	M	15	15
Connecting thread inside	S	M54 x 1,5	M72 x 1,5
Position in clamped position [mm]	AU	34	57
Bolt hole circle	V	LK Ø 82,6 [6 x M10]	LK Ø 104,8 [6 x M10]
Material		10017416	10017418

Size	40						
Variant	Pull-back						
Spindle nose	DU	KK4	KK5	KK6	KK7	KK8	
Total length [mm]	I	125	117	125	143	124	142
Depth of thread [mm]	M	15	15	15	15	15	15
Connecting thread inside	S	M72 x 1,5	M72 x 1,5	M72 x 1,5	M72 x 1,5	M84 x 1,5	M84 x 1,5
Position in clamped position [mm]	AU	40	32	40	58	38	56
Bolt hole circle	V	LK Ø 82,6 [6 x M10]	LK Ø 104,8 [6 x M10]	LK Ø 104,8 [6 x M10]	LK Ø 104,8 [6 x M10]	LK Ø 133,4 [6 x M12]	LK Ø 133,4 [6 x M12]
Material		10017420	10017421	10017422	10017423	10017424	10017425

Size	40		
Variant	Pull-back		
Spindle nose	DU	AP120	AP140
Total length [mm]	I	106	118
Depth of thread [mm]	M	15	15
Connecting thread inside	S	M72 x 1,5	M72 x 1,5
Position in clamped position [mm]	AU	21	33
Bolt hole circle	V	LK Ø 104,8 [6 x M10]	LK Ø 104,8 [6 x M10]
Material		10017426	10017427

Size	52						
Variant	Pull-back						
Spindle nose	DU	KK5	KK6	KK7	KK8	KK9	
Total length [mm]	I	122	145	122	145	120	145
Depth of thread [mm]	M	15	15	15	15	15	15
Connecting thread inside	S	M72 x 1,5	M72 x 1,5	M90 x 1,5	M90 x 1,5	M72 x 1,5	M72 x 1,5
Connecting thread outside	T	M72 x 1,5	M72 x 1,5	M90 x 1,5	M90 x 1,5	M82 x 1,5	M82 x 1,5
Position in clamped position [mm]	AU	37	60	37	60	35	60
Bolt hole circle	V	LK Ø 104,8 [6 x M10]	LK Ø 133,4 [6 x M12]	LK Ø 133,4 [6 x M12]	LK Ø 133,4 [6 x M12]	LK Ø 171,4 [6 x M16]	LK Ø 171,4 [6 x M16]
Material		10017430	10017432	10017433	10017434	10017435	10017436

SPINDLE CONNECTION DATA
TOPlus premium chuck

Size		52				
Variant		Pull-back				
Spindle nose	DU	AP110	AP120		AP140	
Total length [mm]	I	120	105	115	105	115
Depth of thread [mm]	M	15				
Connecting thread inside	S	M72 x 1,5			M62 x 1,5	
Connecting thread outside	T	M72 x 1,5				
Position in clamped position [mm]	AU	35	20	30	20	30
Bolt hole circle	V	LK Ø 95 [6 x M10]		LK Ø 104,8 [6 x M10]		
Material		10017437	10017438	10017439	10017440	10017441

Size		65							
Variant		Pull-back							
Spindle nose	DU	KK5			KK6		KK8		
Total length [mm]	I	124	130	150	126	130	155	130	155
Depth of thread [mm]	M	17							
Connecting thread inside	S	M76 x 1,5			M102 x 1,5				
Position in clamped position [mm]	AU	34	40	60	36	40	65	40	65
Bolt hole circle	V	LK Ø 104,8 [6 x M10]			LK Ø 133,4 [6 x M12]			LK Ø 171,4 [6 x M16]	
Material		10017442	10017443	10017444	10017445	10017446	10017447	10017448	10017450

Size		65				
Variant		Pull-back				
Spindle nose	DU	AP120		AP140		AP170
Total length [mm]	I	111	120	111	120	115
Depth of thread [mm]	M	17				
Connecting thread inside	S	M76 x 1,5		M80 x 1,5		M102 x 1,5
Position in clamped position [mm]	AU	21	30	21	30	25
Bolt hole circle	V	LK Ø 104,8 [6 x M10]				LK Ø 133,4 [6 x M12]
Material		10017451	10017452	10017453	10017454	10017455

Size		80						
Variant		Pull-back						
Spindle nose	DU	KK5	KK6		KK8			
Total length [mm]	I	132	128	135	155	132	150	180
Depth of thread [mm]	M	18						
Connecting thread inside	S	M102 x 1,5				M125 x 1,5		
Position in clamped position [mm]	AU	41	37	44	64	40	58	88
Bolt hole circle	V	LK Ø 104,8 [6 x M10]	LK Ø 133,4 [6 x M12]			LK Ø 171,4 [6 x M16]		
Material		10017456	10017457	10017458	10017459	10017460	10017461	10017462

Size		80				
Variant		Pull-back				
Spindle nose	DU	AP140	AP170	AP220		
Total length [mm]	I	132	115			
Depth of thread [mm]	M	18				
Connecting thread inside	S	M102 x 1,5			M125 x 1,5	
Position in clamped position [mm]	AU	41	24	23		
Bolt hole circle	V	LK Ø 104,8 [6 x M10]	LK Ø 133,4 [6 x M12]	LK Ø 171,4 [6 x M16]		
Material		10017463	10017464	10018433		

SPINDLE CONNECTION DATA

TOPlus premium chuck

Size		100						
Variant		Pull-back						
Spindle nose	DU	KK5	KK6		KK8		KK11	
Total length [mm]	I	160	164	170	162	180		195
Depth of thread [mm]	M	20						
Connecting thread inside	S	M130 x 1,5				M150 x 1,5		
Position in clamped position [mm]	AU	44	48	54	46	64	56	71
Bolt hole circle	V	LK Ø 104,8 [6 x M10]	LK Ø 133,4 [6 x M12]		LK Ø 171,4 [6 x M16]		LK Ø 235 [6 x M20]	
Material		10017465	10017466	10017467	10017468	10017469	10017470	10017471

Size		100	
Variant		Pull-back	
Spindle nose	DU	AP170	AP220
Total length [mm]	I	164	150
Depth of thread [mm]	M	20	
Connecting thread inside	S	M130 x 1,5	
Position in clamped position [mm]	AU	48	34
Bolt hole circle	V	LK Ø 133,4 [6 x M12]	LK Ø 171,4 [6 x M16]
Material		10017472	10017473