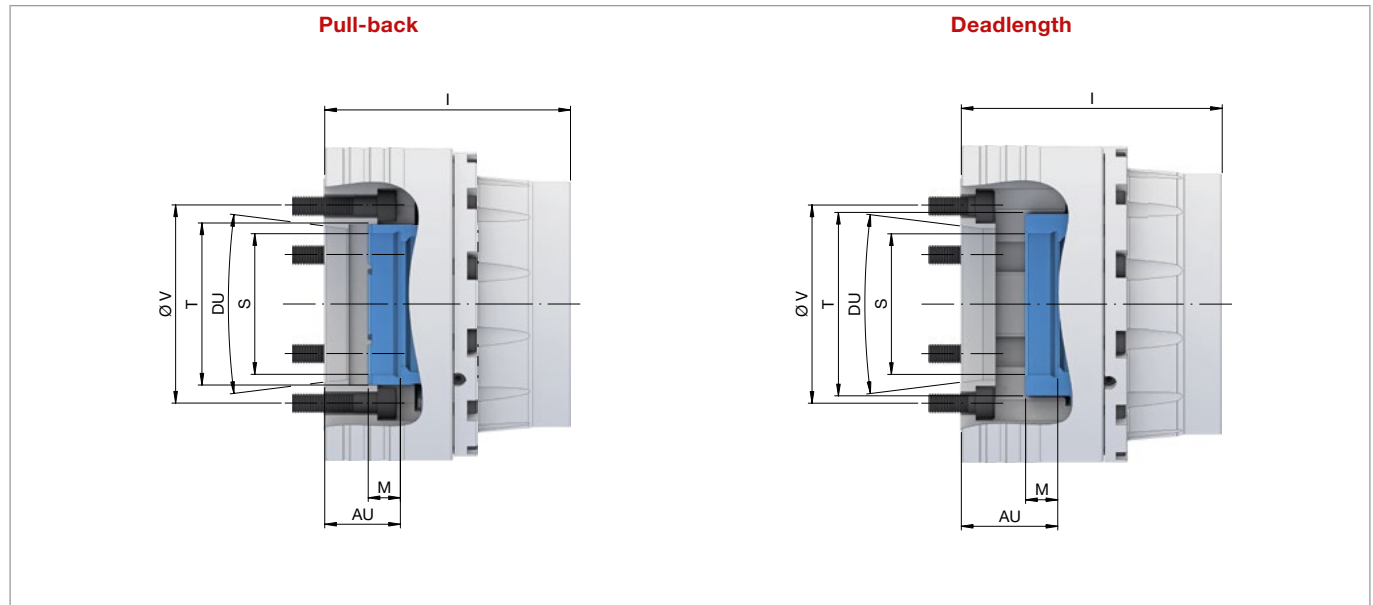


SPINDLE CONNECTION DATA

TOPlus mini chuck

TOPlus mini. Spindle connection data



Size	26			
Variant	Pull-back			
Spindle nose	DU	KK4		KK5
Total length [mm]	l	102		125
Depth of thread [mm]	M	15		
Connecting thread inside	S	M54 x 1,5		M72 x 1,5
Position in clamped position [mm]	AU	34		57
Bolt hole circle	V	LK Ø 82,6 [6 x M10]		LK Ø 104,8 [6 x M10]
Material		10000752		10000753 10000754

Size	26				
Variant	Deadlength				
Spindle nose	DU	KK4		KK5	
Total length [mm]	l	99	110	101	110 130
Depth of thread [mm]	M	15			
Connecting thread inside	S	M58 x 1,5			
Position in clamped position [mm]	AU	30	41	32	41 61
Bolt hole circle	V	LK Ø 82,6 [6 x M10]		LK Ø 104,8 [6 x M10]	
Material		10000797	10000798	10000799	10000800 10000801

Size	40					
Variant	Pull-back					
Spindle nose	DU	KK4		KK5		KK6
Total length [mm]	l	125	117	125	143	124 142
Depth of thread [mm]	M	15				
Connecting thread inside	S	M72 x 1,5			M84 x 1,5	
Position in clamped position [mm]	AU	40	32	40	58	38 56
Bolt hole circle	V	LK Ø 82,6 [6 x M10]	LK Ø 104,8 [6 x M10]		LK Ø 133,4 [6 x M12]	
Material		10000755	10000756	10000757	10000758	10000759 10000760

Size	40			
Variant	Pull-back			
Spindle nose	DU	AP120		AP140
Total length [mm]	l	106		118 106
Depth of thread [mm]	M	15		
Connecting thread inside	S	M72 x 1,5		
Position in clamped position [mm]	AU	21	33 21	
Bolt hole circle	V	LK Ø 104,8 [6 x M10]		
Material		10000761	10000762 10000786	

SPINDLE CONNECTION DATA

TOPlus mini chuck

Size	40						
Variant	Deadlength						
Spindle nose	DU	KK4		KK5		KK6	
Total length [mm]	I	123	115	123	140	122	139
Depth of thread [mm]	M	15					
Connecting thread inside	S	M72 x 1,5			M62 x 1,5		
Connecting thread outside	T	M72 x 1,5					
Position in clamped position [mm]	AU	40,2	32,2	40,2	57,2	39,1	56,1
Bolt hole circle	V	LK Ø 82,6 [6 x M10]		LK Ø 104,8 [6 x M10]		LK Ø 133,4 [6 x M12]	
Material		10000802	10000803	10000804	10000805	10000806	10000807

Size	52						
Variant	Pull-back						
Spindle nose	DU	KK5		KK6		KK8	
Total length [mm]	I	122	145	122	145	120	145
Depth of thread [mm]	M	15					
Connecting thread inside	S	M72 x 1,5		M90 x 1,5		M72 x 1,5	
Connecting thread outside	T	M82 x 1,5					
Position in clamped position [mm]	AU	37	60	37	60	35	60
Bolt hole circle	V	LK Ø 104,8 [6 x M10]		LK Ø 133,4 [6 x M12]		LK Ø 171,4 [6 x M16]	
Material		10000764	10000765	10000766	10000767	10000784	10000785

Size	52						
Variant	Pull-back						
Spindle nose	DU	AP110		AP120		AP140	
Total length [mm]	I	120	105	115	105	115	115
Depth of thread [mm]	M	15					
Connecting thread inside	S	M72 x 1,5			M62 x 1,5		
Connecting thread outside	T	M72 x 1,5					
Position in clamped position [mm]	AU	35	20	30	20	30	30
Bolt hole circle	V	LK Ø 95 [6 x M8]		LK Ø 104,8 [6 x M10]			
Material		10000782	10000768	10000769	10000770	10000771	10000771

Size	52						
Variant	Deadlength						
Spindle nose	DU	KK5		KK6		KK8	
Total length [mm]	I	122	147	122	147	120	120
Depth of thread [mm]	M	15					
Connecting thread inside	S	M72 x 1,5					
Connecting thread outside	T	M82 x 1,5					
Position in clamped position [mm]	AU	38	63	38	63	36	36
Bolt hole circle	V	LK Ø 104,8 [6 x M10]		LK Ø 133,4 [6 x M12]		LK Ø 171,4 [6 x M16]	
Material		10000811	10000812	10000813	10000814	10000834	10000834

Size	52						
Variant	Deadlength						
Spindle nose	DU	AP110		AP120		AP140	
Total length [mm]	I	100	115	105	115	107	107
Depth of thread [mm]	M	15					
Connecting thread inside	S	M68 x 1,5		M72 x 1,5		M62 x 1,5	
Connecting thread outside	T	M72 x 1,5					
Position in clamped position [mm]	AU	19	34	21	31	23	23
Bolt hole circle	V	LK Ø 95 [6 x M8]		LK Ø 104,8 [6 x M10]			
Material		10000831	10000833	10000815	10000816	10000817	10000817

Size	65						
Variant	Pull-back						
Spindle nose	DU	KK5		KK6		KK8	
Total length [mm]	I	124	130	150	126	130	155
Depth of thread [mm]	M	17					
Connecting thread inside	S	M76 x 1,5			M102 x 1,5		
Position in clamped position [mm]	AU	34	40	60	36	40	65
Bolt hole circle	V	LK Ø 104,8 [6 x M10]		LK Ø 133,4 [6 x M12]		LK Ø 171,4 [6 x M16]	
Material		10000787	10000740	10000741	10000742	10000743	10000744

SPINDLE CONNECTION DATA

TOPlus mini chuck

Size		65					
Variant		Pull-back					
Spindle nose		AP120		AP140		AP170	
Total length [mm]	I	111	120	111	120	115	
Depth of thread [mm]	M	17					
Connecting thread inside	S	M76 x 1,5		M80 x 1,5		M102 x 1,5	
Position in clamped position [mm]	AU	21	30	21	30	25	
Bolt hole circle	V	LK Ø 104,8 [6 x M10]					
Material		10000749	10000750	10000747	10000748	10000751	

Size		65					
Variant		Deadlength					
Spindle nose		KK5		KK6		KK8	
Total length [mm]	I	128	138	124	138	163	133 163
Depth of thread [mm]	M	17					
Connecting thread inside	S	M76 x 1,5		M94 x 1,5			
Position in clamped position [mm]	AU	41	51	36	50	75	45 75
Bolt hole circle	V	LK Ø 104,8 [6 x M10]		LK Ø 133,4 [6 x M12]		LK Ø 171,4 [6 x M16]	
Material		10000788	10000789	10000790	10000791	10000792	10000793 10000794

Size		65					
Variant		Deadlength					
Spindle nose		AP120		AP140		AP170	
Total length [mm]	I	129	138	110	128		
Depth of thread [mm]	M	17					
Connecting thread inside	S	M94 x 1,5					
Position in clamped position [mm]	AU	41	50	22	40		
Bolt hole circle	V	LK Ø 104,8 [6 x M10]			LK Ø 133,4 [6 x M12]		
Material		10000840	10000795	10000836	10000796		

Size		80					
Variant		Pull-back					
Spindle nose		KK5		KK6		KK8	
Total length [mm]	I	132	128	135	155	132	150 180
Depth of thread [mm]	M	18					
Connecting thread inside	S	M102 x 1,5			M125 x 1,5		
Position in clamped position [mm]	AU	41	37	44	64	40	58 88
Bolt hole circle	V	LK Ø 104,8 [6 x M10]	LK Ø 133,4 [6 x M12]			LK Ø 171,4 [6 x M16]	
Material		10017026	10017030	10017031	10017032	10017034	10017038 10017039

Size		80					
Variant		Pull-back					
Spindle nose		AP140		AP170		AP220	
Total length [mm]	I	132		115			
Depth of thread [mm]	M	18					
Connecting thread inside	S	M102 x 1,5			M125 x 1,5		
Position in clamped position [mm]	AU	41	24		23		
Bolt hole circle	V	LK Ø 104,8 [6 x M10]		LK Ø 133,4 [6 x M12]		LK Ø 171,4 [6 x M16]	
Material		10017040		10017041		10018166	

Size		80					
Variant		Deadlength					
Spindle nose		KK5		KK6		KK8	
Total length [mm]	I	136	130	137	157	132	152 182
Depth of thread [mm]	M	18					
Connecting thread inside	S	M102 x 1,5					
Position in clamped position [mm]	AU	43,5	37,5	44,5	64,5	39,5	59,5 89,5
Bolt hole circle	V	LK Ø 104,8 [6 x M10]	LK Ø 133,4 [6 x M12]			LK Ø 171,4 [6 x M16]	
Material		10017043	10017044	10017045	10017046	10017048	10017049 10017050

SPINDLE CONNECTION DATA
TOPlus mini chuck

Size		80	
Variant		Deadlength	
Spindle nose	DU	AP140	AP170
Total length [mm]	I	134	115
Depth of thread [mm]	M	18	
Connecting thread inside	S	M102 x 1,5	
Position in clamped position [mm]	AU	41,5	22,5
Bolt hole circle	V	LK Ø 104,8 [6 x M10]	LK Ø 133,4 [6 x M12]
Material		10017051	10017053

Size		100						
Variant		Pull-back						
Spindle nose	DU	KK5	KK6	KK8	KK11			
Total length [mm]	I	160	164	170	162	180	195	
Depth of thread [mm]	M	20						
Connecting thread inside	S	M130 x 1,5			M150 x 1,5			
Position in clamped position [mm]	AU	44	48	54	46	64	56	71
Bolt hole circle	V	LK Ø 104,8 [6 x M10]	LK Ø 133,4 [6 x M12]	LK Ø 171,4 [6 x M16]	LK Ø 235 [6 x M20]			
Material		10000772	10000773	10000774	10000775	10000776	10000777	10000778

Size		100	
Variant		Pull-back	
Spindle nose	DU	AP170	AP220
Total length [mm]	I	164	150
Depth of thread [mm]	M	20	
Connecting thread inside	S	M130 x 1,5	
Position in clamped position [mm]	AU	48	34
Bolt hole circle	V	LK Ø 133,4 [6 x M12]	LK Ø 171,4 [6 x M16]
Material		10000779	10000780

Size		100						
Variant		Deadlength						
Spindle nose	DU	KK5	KK6	KK8	KK11			
Total length [mm]	I	171	175	182	169	192	185	200
Depth of thread [mm]	M	20						
Connecting thread inside	S	M130 x 1,5						
Position in clamped position [mm]	AU	46	50	57	44	67	60	75
Bolt hole circle	V	LK Ø 104,8 [6 x M10]	LK Ø 133,4 [6 x M12]	LK Ø 171,4 [6 x M16]	LK Ø 235 [6 x M20]			
Material		10000818	10000819	10000820	10000821	10000822	10000823	10000824

Size		100		
Variant		Deadlength		
Spindle nose	DU	AP140	AP170	AP220
Total length [mm]	I	171	175	162
Depth of thread [mm]	M	20		
Connecting thread inside	S	M130 x 1,5		
Position in clamped position [mm]	AU	46	50	37
Bolt hole circle	V	LK Ø 104,8 [6 x M10]	LK Ø 133,4 [6 x M12]	LK Ø 171,4 [6 x M16]
Material		10000828	10000825	10000826