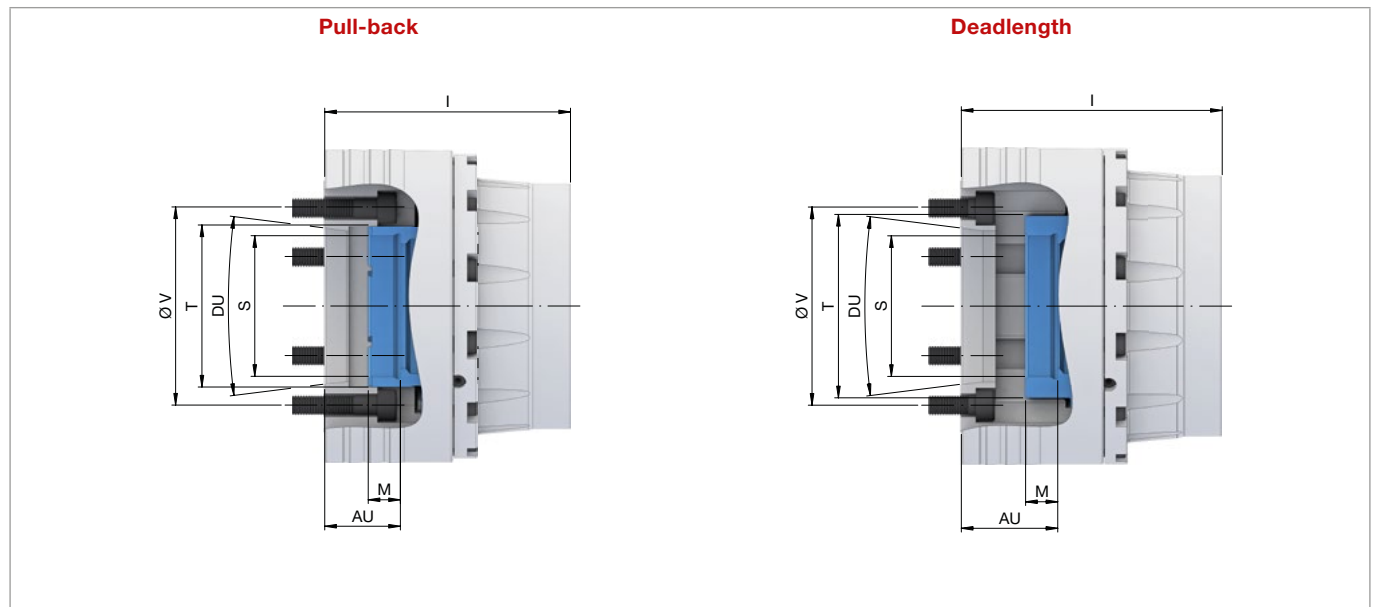


SPINDLE CONNECTION DATA

TOPlus mini chuck

TOPlus mini. Spindle connection data



| Size | 26 | | | |
|-----------------------------------|------------------|---------------------|--|----------------------|
| Variant | Pull-back | | | |
| Spindle nose | DU | KK4 | | KK5 |
| Total length [mm] | l | 102 | | 125 |
| Depth of thread [mm] | M | 15 | | |
| Connecting thread inside | S | M54 x 1,5 | | M72 x 1,5 |
| Position in clamped position [mm] | AU | 34 | | 57 |
| Bolt hole circle | V | LK Ø 82,6 [6 x M10] | | LK Ø 104,8 [6 x M10] |
| Material | | 10000752 | | 10000753 10000754 |

| Size | 26 | | | | | |
|-----------------------------------|-------------------|---------------------|----------|----------------------|----------|----------|
| Variant | Deadlength | | | | | |
| Spindle nose | DU | KK4 | | KK5 | | |
| Total length [mm] | l | 99 | 110 | 101 | 110 | 130 |
| Depth of thread [mm] | M | 15 | | | | |
| Connecting thread inside | S | M58 x 1,5 | | | | |
| Position in clamped position [mm] | AU | 30 | 41 | 32 | 41 | 61 |
| Bolt hole circle | V | LK Ø 82,6 [6 x M10] | | LK Ø 104,8 [6 x M10] | | |
| Material | | 10000797 | 10000798 | 10000799 | 10000800 | 10000801 |

| Size | 40 | | | | | |
|-----------------------------------|------------------|---------------------|----------------------|----------|----------------------|-------------------|
| Variant | Pull-back | | | | | |
| Spindle nose | DU | KK4 | | KK5 | | KK6 |
| Total length [mm] | l | 125 | 117 | 125 | 143 | 124 142 |
| Depth of thread [mm] | M | 15 | | | | |
| Connecting thread inside | S | M72 x 1,5 | | | M84 x 1,5 | |
| Position in clamped position [mm] | AU | 40 | 32 | 40 | 58 | 38 56 |
| Bolt hole circle | V | LK Ø 82,6 [6 x M10] | LK Ø 104,8 [6 x M10] | | LK Ø 133,4 [6 x M12] | |
| Material | | 10000755 | 10000756 | 10000757 | 10000758 | 10000759 10000760 |

| Size | 40 | | | |
|-----------------------------------|------------------|----------------------|----------|-------|
| Variant | Pull-back | | | |
| Spindle nose | DU | AP120 | | AP140 |
| Total length [mm] | l | 106 | | 118 |
| Depth of thread [mm] | M | 15 | | |
| Connecting thread inside | S | M72 x 1,5 | | |
| Position in clamped position [mm] | AU | 21 | 33 | |
| Bolt hole circle | V | LK Ø 104,8 [6 x M10] | | |
| Material | | 10000761 | 10000762 | |
| | | | 10000786 | |

SPINDLE CONNECTION DATA

TOPlus mini chuck

| Size | | 40 | | | | | |
|-----------------------------------|----|---------------------|----------|----------------------|-----------|----------------------|----------|
| Variant | | Deadlength | | | | | |
| Spindle nose | | KK4 | | KK5 | | KK6 | |
| Total length [mm] | I | 123 | 115 | 123 | 140 | 122 | 139 |
| Depth of thread [mm] | M | 15 | | | | | |
| Connecting thread inside | S | M72 x 1,5 | | | M62 x 1,5 | | |
| Connecting thread outside | T | M72 x 1,5 | | | | | |
| Position in clamped position [mm] | AU | 40,2 | 32,2 | 40,2 | 57,2 | 39,1 | 56,1 |
| Bolt hole circle | V | LK Ø 82,6 [6 x M10] | | LK Ø 104,8 [6 x M10] | | LK Ø 133,4 [6 x M12] | |
| Material | | 10000802 | 10000803 | 10000804 | 10000805 | 10000806 | 10000807 |

| Size | | 52 | | | | | | |
|-----------------------------------|----|----------------------|----------|----------------------|-----------|----------------------|-----------|--|
| Variant | | Pull-back | | | | | | |
| Spindle nose | | KK5 | | KK6 | | KK8 | | |
| Total length [mm] | I | 122 | 145 | 122 | 145 | 120 | 145 | |
| Depth of thread [mm] | M | 15 | | | | | | |
| Connecting thread inside | S | M72 x 1,5 | | | M90 x 1,5 | | M72 x 1,5 | |
| Connecting thread outside | T | M82 x 1,5 | | | | | | |
| Position in clamped position [mm] | AU | 37 | 60 | 37 | 60 | 35 | 60 | |
| Bolt hole circle | V | LK Ø 104,8 [6 x M10] | | LK Ø 133,4 [6 x M12] | | LK Ø 171,4 [6 x M16] | | |
| Material | | 10000764 | 10000765 | 10000766 | 10000767 | 10000784 | 10000785 | |

| Size | | 52 | | | | | |
|-----------------------------------|----|------------------|----------|----------------------|-----------|----------|----------|
| Variant | | Pull-back | | | | | |
| Spindle nose | | AP110 | | AP120 | | AP140 | |
| Total length [mm] | I | 120 | 105 | 115 | 105 | 115 | 115 |
| Depth of thread [mm] | M | 15 | | | | | |
| Connecting thread inside | S | M72 x 1,5 | | | M62 x 1,5 | | |
| Connecting thread outside | T | M72 x 1,5 | | | | | |
| Position in clamped position [mm] | AU | 35 | 20 | 30 | 20 | 30 | 30 |
| Bolt hole circle | V | LK Ø 95 [6 x M8] | | LK Ø 104,8 [6 x M10] | | | |
| Material | | 10000782 | 10000768 | 10000769 | 10000770 | 10000771 | 10000771 |

| Size | | 52 | | | | | |
|-----------------------------------|----|----------------------|----------|----------------------|----------|----------------------|----------|
| Variant | | Deadlength | | | | | |
| Spindle nose | | KK5 | | KK6 | | KK8 | |
| Total length [mm] | I | 122 | 147 | 122 | 147 | 120 | 120 |
| Depth of thread [mm] | M | 15 | | | | | |
| Connecting thread inside | S | M72 x 1,5 | | | | | |
| Connecting thread outside | T | M82 x 1,5 | | | | | |
| Position in clamped position [mm] | AU | 38 | 63 | 38 | 63 | 36 | 36 |
| Bolt hole circle | V | LK Ø 104,8 [6 x M10] | | LK Ø 133,4 [6 x M12] | | LK Ø 171,4 [6 x M16] | |
| Material | | 10000811 | 10000812 | 10000813 | 10000814 | 10000834 | 10000834 |

| Size | | 52 | | | | | | |
|-----------------------------------|----|------------------|----------|----------------------|-----------|----------|-----------|--|
| Variant | | Deadlength | | | | | | |
| Spindle nose | | AP110 | | AP120 | | AP140 | | |
| Total length [mm] | I | 100 | 115 | 105 | 115 | 107 | 107 | |
| Depth of thread [mm] | M | 15 | | | | | | |
| Connecting thread inside | S | M68 x 1,5 | | | M72 x 1,5 | | M62 x 1,5 | |
| Connecting thread outside | T | M72 x 1,5 | | | | | | |
| Position in clamped position [mm] | AU | 19 | 34 | 21 | 31 | 23 | 23 | |
| Bolt hole circle | V | LK Ø 95 [6 x M8] | | LK Ø 104,8 [6 x M10] | | | | |
| Material | | 10000831 | 10000833 | 10000815 | 10000816 | 10000817 | 10000817 | |

| Size | | 65 | | | | | |
|-----------------------------------|----|----------------------|----------|----------------------|------------|----------------------|----------|
| Variant | | Pull-back | | | | | |
| Spindle nose | | KK5 | | KK6 | | KK8 | |
| Total length [mm] | I | 124 | 130 | 150 | 126 | 130 | 155 |
| Depth of thread [mm] | M | 17 | | | | | |
| Connecting thread inside | S | M76 x 1,5 | | | M102 x 1,5 | | |
| Position in clamped position [mm] | AU | 34 | 40 | 60 | 36 | 40 | 65 |
| Bolt hole circle | V | LK Ø 104,8 [6 x M10] | | LK Ø 133,4 [6 x M12] | | LK Ø 171,4 [6 x M16] | |
| Material | | 10000787 | 10000740 | 10000741 | 10000742 | 10000743 | 10000744 |

SPINDLE CONNECTION DATA

TOPlus mini chuck

| Size | | 65 | | | | | |
|-----------------------------------|----|----------------------|----------|-----------|----------|------------|--|
| Variant | | Pull-back | | | | | |
| Spindle nose | | AP120 | | AP140 | | AP170 | |
| Total length [mm] | I | 111 | 120 | 111 | 120 | 115 | |
| Depth of thread [mm] | M | 17 | | | | | |
| Connecting thread inside | S | M76 x 1,5 | | M80 x 1,5 | | M102 x 1,5 | |
| Position in clamped position [mm] | AU | 21 | 30 | 21 | 30 | 25 | |
| Bolt hole circle | V | LK Ø 104,8 [6 x M10] | | | | | |
| Material | | 10000749 | 10000750 | 10000747 | 10000748 | 10000751 | |

| Size | | 65 | | | | | |
|-----------------------------------|----|----------------------|----------|----------------------|----------|----------------------|-------------------|
| Variant | | Deadlength | | | | | |
| Spindle nose | | KK5 | | KK6 | | KK8 | |
| Total length [mm] | I | 128 | 138 | 124 | 138 | 163 | 133 163 |
| Depth of thread [mm] | M | 17 | | | | | |
| Connecting thread inside | S | M76 x 1,5 | | M94 x 1,5 | | | |
| Position in clamped position [mm] | AU | 41 | 51 | 36 | 50 | 75 | 45 75 |
| Bolt hole circle | V | LK Ø 104,8 [6 x M10] | | LK Ø 133,4 [6 x M12] | | LK Ø 171,4 [6 x M16] | |
| Material | | 10000788 | 10000789 | 10000790 | 10000791 | 10000792 | 10000793 10000794 |

| Size | | 65 | | | | | |
|-----------------------------------|----|----------------------|----------|----------|----------------------|-------|--|
| Variant | | Deadlength | | | | | |
| Spindle nose | | AP120 | | AP140 | | AP170 | |
| Total length [mm] | I | 129 | 138 | 110 | 128 | | |
| Depth of thread [mm] | M | 17 | | | | | |
| Connecting thread inside | S | M94 x 1,5 | | | | | |
| Position in clamped position [mm] | AU | 41 | 50 | 22 | 40 | | |
| Bolt hole circle | V | LK Ø 104,8 [6 x M10] | | | LK Ø 133,4 [6 x M12] | | |
| Material | | 10000840 | 10000795 | 10000836 | 10000796 | | |

| Size | | 80 | | | | | |
|-----------------------------------|----|----------------------|----------------------|----------|------------|----------------------|-------------------|
| Variant | | Pull-back | | | | | |
| Spindle nose | | KK5 | | KK6 | | KK8 | |
| Total length [mm] | I | 132 | 128 | 135 | 155 | 132 | 150 180 |
| Depth of thread [mm] | M | 18 | | | | | |
| Connecting thread inside | S | M102 x 1,5 | | | M125 x 1,5 | | |
| Position in clamped position [mm] | AU | 41 | 37 | 44 | 64 | 40 | 58 88 |
| Bolt hole circle | V | LK Ø 104,8 [6 x M10] | LK Ø 133,4 [6 x M12] | | | LK Ø 171,4 [6 x M16] | |
| Material | | 10017026 | 10017030 | 10017031 | 10017032 | 10017034 | 10017038 10017039 |

| Size | | 80 | | | | | |
|-----------------------------------|----|----------------------|----|----------------------|------------|----------------------|--|
| Variant | | Pull-back | | | | | |
| Spindle nose | | AP140 | | AP170 | | AP220 | |
| Total length [mm] | I | 132 | | 115 | | | |
| Depth of thread [mm] | M | 18 | | | | | |
| Connecting thread inside | S | M102 x 1,5 | | | M125 x 1,5 | | |
| Position in clamped position [mm] | AU | 41 | 24 | | 23 | | |
| Bolt hole circle | V | LK Ø 104,8 [6 x M10] | | LK Ø 133,4 [6 x M12] | | LK Ø 171,4 [6 x M16] | |
| Material | | 10017040 | | 10017041 | | 10018166 | |

| Size | | 80 | | | | | |
|-----------------------------------|----|----------------------|----------------------|----------|----------|----------------------|-------------------|
| Variant | | Deadlength | | | | | |
| Spindle nose | | KK5 | | KK6 | | KK8 | |
| Total length [mm] | I | 136 | 130 | 137 | 157 | 132 | 152 182 |
| Depth of thread [mm] | M | 18 | | | | | |
| Connecting thread inside | S | M102 x 1,5 | | | | | |
| Position in clamped position [mm] | AU | 43,5 | 37,5 | 44,5 | 64,5 | 39,5 | 59,5 89,5 |
| Bolt hole circle | V | LK Ø 104,8 [6 x M10] | LK Ø 133,4 [6 x M12] | | | LK Ø 171,4 [6 x M16] | |
| Material | | 10017043 | 10017044 | 10017045 | 10017046 | 10017048 | 10017049 10017050 |

SPINDLE CONNECTION DATA
TOPlus mini chuck

| Size | | 80 | |
|-----------------------------------|----|----------------------|----------------------|
| Variant | | Deadlength | |
| Spindle nose | DU | AP140 | AP170 |
| Total length [mm] | I | 134 | 115 |
| Depth of thread [mm] | M | 18 | |
| Connecting thread inside | S | M102 x 1,5 | |
| Position in clamped position [mm] | AU | 41,5 | 22,5 |
| Bolt hole circle | V | LK Ø 104,8 [6 x M10] | LK Ø 133,4 [6 x M12] |
| Material | | 10017051 | 10017053 |

| Size | | 100 | | | | | |
|-----------------------------------|----|----------------------|----------------------|----------------------|--------------------|----------|----------|
| Variant | | Pull-back | | | | | |
| Spindle nose | DU | KK5 | KK6 | KK8 | KK11 | | |
| Total length [mm] | I | 160 | 164 | 170 | 162 | 180 | 195 |
| Depth of thread [mm] | M | 20 | | | | | |
| Connecting thread inside | S | M130 x 1,5 | | | M150 x 1,5 | | |
| Position in clamped position [mm] | AU | 44 | 48 | 54 | 46 | 64 | 56 |
| Bolt hole circle | V | LK Ø 104,8 [6 x M10] | LK Ø 133,4 [6 x M12] | LK Ø 171,4 [6 x M16] | LK Ø 235 [6 x M20] | | |
| Material | | 10000772 | 10000773 | 10000774 | 10000775 | 10000776 | 10000777 |

| Size | | 100 | |
|-----------------------------------|----|----------------------|----------------------|
| Variant | | Pull-back | |
| Spindle nose | DU | AP170 | AP220 |
| Total length [mm] | I | 164 | 150 |
| Depth of thread [mm] | M | 20 | |
| Connecting thread inside | S | M130 x 1,5 | |
| Position in clamped position [mm] | AU | 48 | 34 |
| Bolt hole circle | V | LK Ø 133,4 [6 x M12] | LK Ø 171,4 [6 x M16] |
| Material | | 10000779 | 10000780 |

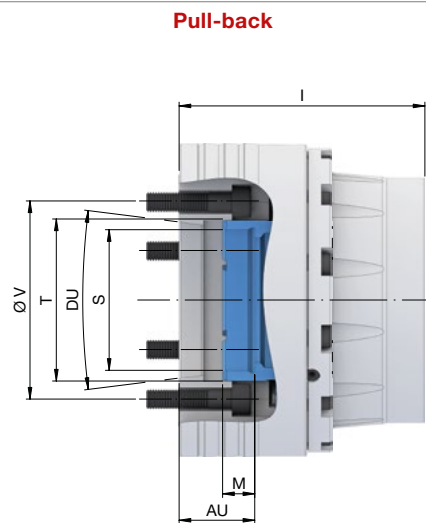
| Size | | 100 | | | | | |
|-----------------------------------|----|----------------------|----------------------|----------------------|--------------------|----------|----------|
| Variant | | Deadlength | | | | | |
| Spindle nose | DU | KK5 | KK6 | KK8 | KK11 | | |
| Total length [mm] | I | 171 | 175 | 182 | 169 | 192 | 185 |
| Depth of thread [mm] | M | 20 | | | | | |
| Connecting thread inside | S | M130 x 1,5 | | | | | |
| Position in clamped position [mm] | AU | 46 | 50 | 57 | 44 | 67 | 60 |
| Bolt hole circle | V | LK Ø 104,8 [6 x M10] | LK Ø 133,4 [6 x M12] | LK Ø 171,4 [6 x M16] | LK Ø 235 [6 x M20] | | |
| Material | | 10000818 | 10000819 | 10000820 | 10000821 | 10000822 | 10000823 |

| Size | | 100 | | |
|-----------------------------------|----|----------------------|----------------------|----------------------|
| Variant | | Deadlength | | |
| Spindle nose | DU | AP140 | AP170 | AP220 |
| Total length [mm] | I | 171 | 175 | 162 |
| Depth of thread [mm] | M | 20 | | |
| Connecting thread inside | S | M130 x 1,5 | | |
| Position in clamped position [mm] | AU | 46 | 50 | 37 |
| Bolt hole circle | V | LK Ø 104,8 [6 x M10] | LK Ø 133,4 [6 x M12] | LK Ø 171,4 [6 x M16] |
| Material | | 10000828 | 10000825 | 10000826 |

SPINDLE CONNECTION DATA

TOPlus premium chuck

TOPlus premium. Spindle connection data



| Size | 26 | | |
|-----------------------------------|-----------|---------------------|----------------------|
| Variant | Pull-back | | |
| Spindle nose | DU | KK4 | KK5 |
| Total length [mm] | I | 102 | 125 |
| Depth of thread [mm] | M | 15 | 15 |
| Connecting thread inside | S | M54 x 1,5 | M72 x 1,5 |
| Position in clamped position [mm] | AU | 34 | 57 |
| Bolt hole circle | V | LK Ø 82,6 [6 x M10] | LK Ø 104,8 [6 x M10] |
| Material | | 10017416 | 10017418 10017419 |

| Size | 40 | | | | | |
|-----------------------------------|-----------|---------------------|----------------------|----------------------|----------------------|----------------------|
| Variant | Pull-back | | | | | |
| Spindle nose | DU | KK4 | KK5 | KK6 | KK7 | KK8 |
| Total length [mm] | I | 125 | 117 | 125 | 143 | 124 142 |
| Depth of thread [mm] | M | 15 | 15 | 15 | 15 | 15 |
| Connecting thread inside | S | M72 x 1,5 | M72 x 1,5 | M72 x 1,5 | M72 x 1,5 | M84 x 1,5 |
| Position in clamped position [mm] | AU | 40 | 32 | 40 | 58 | 38 56 |
| Bolt hole circle | V | LK Ø 82,6 [6 x M10] | LK Ø 104,8 [6 x M10] | LK Ø 104,8 [6 x M10] | LK Ø 104,8 [6 x M10] | LK Ø 133,4 [6 x M12] |
| Material | | 10017420 | 10017421 | 10017422 | 10017423 | 10017424 10017425 |

| Size | 40 | | |
|-----------------------------------|-----------|----------------------|----------------------|
| Variant | Pull-back | | |
| Spindle nose | DU | AP120 | AP140 |
| Total length [mm] | I | 106 | 118 106 |
| Depth of thread [mm] | M | 15 | 15 |
| Connecting thread inside | S | M72 x 1,5 | M72 x 1,5 |
| Position in clamped position [mm] | AU | 21 | 33 21 |
| Bolt hole circle | V | LK Ø 104,8 [6 x M10] | LK Ø 104,8 [6 x M10] |
| Material | | 10017426 | 10017427 10017428 |

| Size | 52 | | | | | |
|-----------------------------------|-----------|----------------------|----------------------|----------------------|----------------------|----------------------|
| Variant | Pull-back | | | | | |
| Spindle nose | DU | KK5 | KK6 | KK7 | KK8 | KK9 |
| Total length [mm] | I | 122 | 145 | 122 | 145 | 120 145 |
| Depth of thread [mm] | M | 15 | 15 | 15 | 15 | 15 |
| Connecting thread inside | S | M72 x 1,5 | M72 x 1,5 | M90 x 1,5 | M90 x 1,5 | M72 x 1,5 |
| Connecting thread outside | T | M72 x 1,5 | M72 x 1,5 | M90 x 1,5 | M90 x 1,5 | M82 x 1,5 |
| Position in clamped position [mm] | AU | 37 | 60 | 37 | 60 | 35 60 |
| Bolt hole circle | V | LK Ø 104,8 [6 x M10] | LK Ø 133,4 [6 x M12] | LK Ø 133,4 [6 x M12] | LK Ø 133,4 [6 x M12] | LK Ø 171,4 [6 x M16] |
| Material | | 10017430 | 10017432 | 10017433 | 10017434 | 10017435 10017436 |

SPINDLE CONNECTION DATA
TOPlus premium chuck

| Size | | 52 | | | | |
|-----------------------------------|----|-------------------|----------|----------------------|-----------|----------|
| Variant | | Pull-back | | | | |
| Spindle nose | DU | AP110 | AP120 | | AP140 | |
| Total length [mm] | I | 120 | 105 | 115 | 105 | 115 |
| Depth of thread [mm] | M | 15 | | | | |
| Connecting thread inside | S | M72 x 1,5 | | | M62 x 1,5 | |
| Connecting thread outside | T | M72 x 1,5 | | | | |
| Position in clamped position [mm] | AU | 35 | 20 | 30 | 20 | 30 |
| Bolt hole circle | V | LK Ø 95 [6 x M10] | | LK Ø 104,8 [6 x M10] | | |
| Material | | 10017437 | 10017438 | 10017439 | 10017440 | 10017441 |

| Size | | 65 | | | | | | | |
|-----------------------------------|----|----------------------|----------|----------|----------------------|----------|----------|----------------------|----------|
| Variant | | Pull-back | | | | | | | |
| Spindle nose | DU | KK5 | | | KK6 | | KK8 | | |
| Total length [mm] | I | 124 | 130 | 150 | 126 | 130 | 155 | 130 | 155 |
| Depth of thread [mm] | M | 17 | | | | | | | |
| Connecting thread inside | S | M76 x 1,5 | | | M102 x 1,5 | | | | |
| Position in clamped position [mm] | AU | 34 | 40 | 60 | 36 | 40 | 65 | 40 | 65 |
| Bolt hole circle | V | LK Ø 104,8 [6 x M10] | | | LK Ø 133,4 [6 x M12] | | | LK Ø 171,4 [6 x M16] | |
| Material | | 10017442 | 10017443 | 10017444 | 10017445 | 10017446 | 10017447 | 10017448 | 10017450 |

| Size | | 65 | | | | |
|-----------------------------------|----|----------------------|----------|-----------|----------|----------------------|
| Variant | | Pull-back | | | | |
| Spindle nose | DU | AP120 | | AP140 | | AP170 |
| Total length [mm] | I | 111 | 120 | 111 | 120 | 115 |
| Depth of thread [mm] | M | 17 | | | | |
| Connecting thread inside | S | M76 x 1,5 | | M80 x 1,5 | | M102 x 1,5 |
| Position in clamped position [mm] | AU | 21 | 30 | 21 | 30 | 25 |
| Bolt hole circle | V | LK Ø 104,8 [6 x M10] | | | | LK Ø 133,4 [6 x M12] |
| Material | | 10017451 | 10017452 | 10017453 | 10017454 | 10017455 |

| Size | | 80 | | | | | | |
|-----------------------------------|----|----------------------|----------------------|----------|----------|----------------------|----------|----------|
| Variant | | Pull-back | | | | | | |
| Spindle nose | DU | KK5 | KK6 | | KK8 | | | |
| Total length [mm] | I | 132 | 128 | 135 | 155 | 132 | 150 | 180 |
| Depth of thread [mm] | M | 18 | | | | | | |
| Connecting thread inside | S | M102 x 1,5 | | | | M125 x 1,5 | | |
| Position in clamped position [mm] | AU | 41 | 37 | 44 | 64 | 40 | 58 | 88 |
| Bolt hole circle | V | LK Ø 104,8 [6 x M10] | LK Ø 133,4 [6 x M12] | | | LK Ø 171,4 [6 x M16] | | |
| Material | | 10017456 | 10017457 | 10017458 | 10017459 | 10017460 | 10017461 | 10017462 |

| Size | | 80 | | | | |
|-----------------------------------|----|----------------------|----------------------|----------------------|------------|--|
| Variant | | Pull-back | | | | |
| Spindle nose | DU | AP140 | AP170 | AP220 | | |
| Total length [mm] | I | 132 | 115 | | | |
| Depth of thread [mm] | M | 18 | | | | |
| Connecting thread inside | S | M102 x 1,5 | | | M125 x 1,5 | |
| Position in clamped position [mm] | AU | 41 | 24 | 23 | | |
| Bolt hole circle | V | LK Ø 104,8 [6 x M10] | LK Ø 133,4 [6 x M12] | LK Ø 171,4 [6 x M16] | | |
| Material | | 10017463 | 10017464 | 10018433 | | |

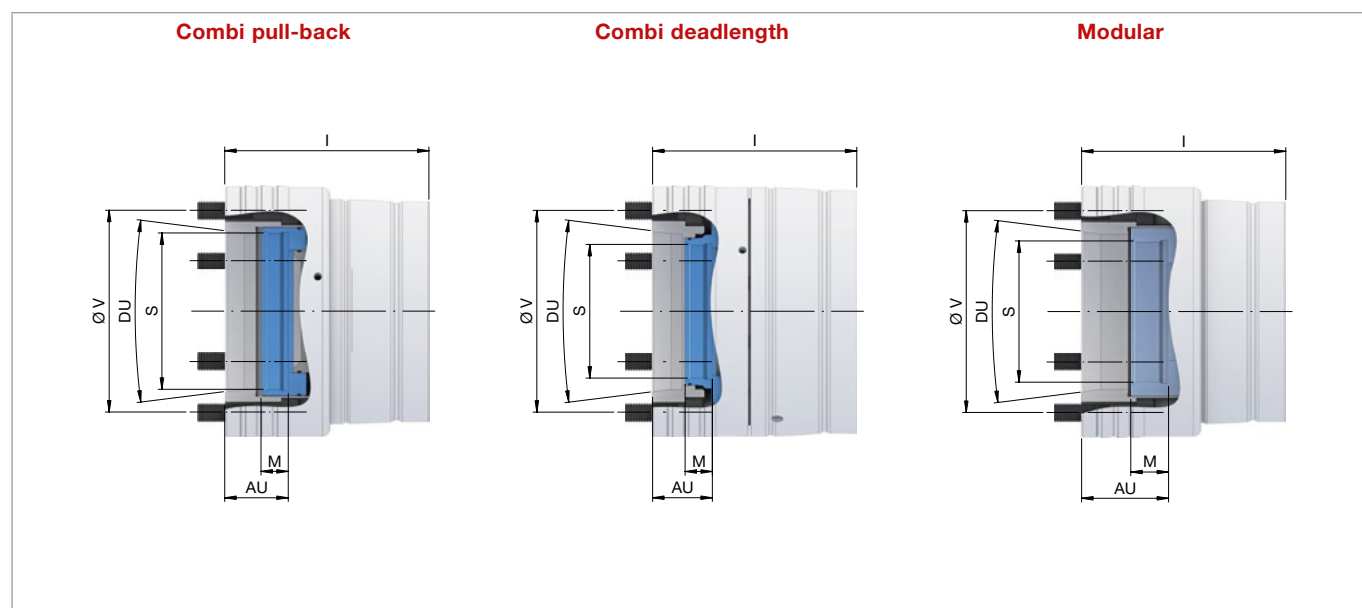
SPINDLE CONNECTION DATA

TOPlus premium chuck

| Size | | 100 | | | | | | |
|-----------------------------------|----|----------------------|----------------------|----------|----------------------|------------|--------------------|----------|
| Variant | | Pull-back | | | | | | |
| Spindle nose | DU | KK5 | KK6 | | KK8 | | KK11 | |
| Total length [mm] | I | 160 | 164 | 170 | 162 | 180 | | 195 |
| Depth of thread [mm] | M | 20 | | | | | | |
| Connecting thread inside | S | M130 x 1,5 | | | | M150 x 1,5 | | |
| Position in clamped position [mm] | AU | 44 | 48 | 54 | 46 | 64 | 56 | 71 |
| Bolt hole circle | V | LK Ø 104,8 [6 x M10] | LK Ø 133,4 [6 x M12] | | LK Ø 171,4 [6 x M16] | | LK Ø 235 [6 x M20] | |
| Material | | 10017465 | 10017466 | 10017467 | 10017468 | 10017469 | 10017470 | 10017471 |

| Size | | 100 | |
|-----------------------------------|----|----------------------|----------------------|
| Variant | | Pull-back | |
| Spindle nose | DU | AP170 | AP220 |
| Total length [mm] | I | 164 | 150 |
| Depth of thread [mm] | M | 20 | |
| Connecting thread inside | S | M130 x 1,5 | |
| Position in clamped position [mm] | AU | 48 | 34 |
| Bolt hole circle | V | LK Ø 133,4 [6 x M12] | LK Ø 171,4 [6 x M16] |
| Material | | 10017472 | 10017473 |

TOPlus. Spindle connection data



| Size | 52 | | | | |
|-----------------------------------|------------------------|----------------------|----------------------|----------------------|----------|
| Variant | Combi pull-back | | | | |
| Spindle nose | DU | KK5 | KK6 | AP120 | AP140 |
| Total length [mm] | l | 122 | | 115 | |
| Depth of thread [mm] | M | 17 | 16 | 17 | |
| Connecting thread inside | S | M72 x 1,5 | M85 x 1,5 | M72 x 1,5 | |
| Position in clamped position [mm] | AU | 35,5 | | 28,5 | |
| Bolt hole circle | V | LK Ø 104,8 [6 x M10] | LK Ø 133,4 [6 x M12] | LK Ø 104,8 [6 x M10] | |
| Material | | 10001926 | 10001927 | 10001928 | 10001929 |

| Size | 52 | | | | |
|-----------------------------------|-------------------------|----------------------|----------------------|----------------------|----------|
| Variant | Combi deadlength | | | | |
| Spindle nose | DU | KK5 | KK6 | AP120 | AP140 |
| Total length [mm] | l | 120 | | 110 | |
| Depth of thread [mm] | M | 15,5 | | | |
| Connecting thread inside | S | M76 x 1,5 | | | |
| Position in clamped position [mm] | AU | 34 | | 24 | |
| Bolt hole circle | V | LK Ø 104,8 [6 x M10] | LK Ø 133,4 [6 x M12] | LK Ø 104,8 [6 x M10] | |
| Material | | 10001945 | 10001946 | 10001947 | 10001948 |

| Size | 52 | | | | |
|-----------------------------------|----------------|----------------------|----------------------|----------------------|----------|
| Variant | Modular | | | | |
| Spindle nose | DU | KK5 | KK6 | AP120 | AP140 |
| Total length [mm] | l | 112 | | 105 | |
| Depth of thread [mm] | M | 16 | | | |
| Connecting thread inside | S | M78 x 1,5 | | | |
| Position in clamped position [mm] | AU | 44,5 | | 37,5 | |
| Bolt hole circle | V | LK Ø 104,8 [6 x M10] | LK Ø 133,4 [6 x M12] | LK Ø 104,8 [6 x M10] | |
| Material | | 10001913 | 10001914 | 10001915 | 10001916 |

| Size | 65 | | | | | | |
|-----------------------------------|------------------------|----------------------|----------------------|----------------------|----------------------|----------|----------------------|
| Variant | Combi pull-back | | | | | | |
| Spindle nose | DU | KK5 | KK6 | KK8 | AP120 | AP140 | AP170 |
| Total length [mm] | l | 131 | 130 | 131 | 120 | | 115 |
| Depth of thread [mm] | M | 18 | | | | | |
| Connecting thread inside | S | M72 x 1,5 | M105 x 1,5 | | M72 x 1,5 | | M105 x 1,5 |
| Position in clamped position [mm] | AU | 34 | 37 | 38 | 23 | | 22 |
| Bolt hole circle | V | LK Ø 104,8 [6 x M10] | LK Ø 133,4 [6 x M12] | LK Ø 171,4 [6 x M16] | LK Ø 104,8 [6 x M10] | | LK Ø 133,4 [6 x M12] |
| Material | | 10001920 | 10001921 | 10001922 | 10001923 | 10001924 | 10001925 |

SPINDLE CONNECTION DATA

TOPlus chuck

| Size | | 65 | | | | |
|-----------------------------------|----|----------------------|----------------------|----------------------|----------------------|----------------------|
| Variant | | Combi deadlength | | | | |
| Spindle nose | DU | KK5 | KK6 | KK8 | AP140 | AP170 |
| Total length [mm] | I | 135 | | | 125 | |
| Depth of thread [mm] | M | 18 | | | | |
| Connecting thread inside | S | M90 x 1,5 | | | | |
| Position in clamped position [mm] | AU | 39,5 | | | 29,5 | |
| Bolt hole circle | V | LK Ø 104,8 [6 x M10] | LK Ø 133,4 [6 x M12] | LK Ø 171,4 [6 x M16] | LK Ø 104,8 [6 x M10] | LK Ø 133,4 [6 x M12] |
| Material | | 10001936 | 10001937 | 10001938 | 10001939 | 10001940 |

| Size | | 65 | | | | | |
|-----------------------------------|----|----------------------|----------------------|----------------------|----------------------|----------|----------------------|
| Variant | | Modular | | | | | |
| Spindle nose | DU | KK5 | KK6 | KK8 | AP120 | AP140 | AP170 |
| Total length [mm] | I | 121 | 120 | 121 | 110 | | 105 |
| Depth of thread [mm] | M | 18 | 25 | 18 | | | |
| Connecting thread inside | S | M78 x 1,5 | M95 x 1,5 | M78 x 1,5 | | | |
| Position in clamped position [mm] | AU | 49,5 | 42,5 | 49,5 | 38,5 | | 33,5 |
| Bolt hole circle | V | LK Ø 104,8 [6 x M10] | LK Ø 133,4 [6 x M12] | LK Ø 171,4 [6 x M16] | LK Ø 104,8 [6 x M10] | | LK Ø 133,4 [6 x M12] |
| Material | | 10001907 | 10001908 | 10001909 | 10001910 | 10001911 | 10001912 |

| Size | | 100 | | | | |
|-----------------------------------|----|----------------------|----------------------|--------------------|----------------------|----------------------|
| Variant | | Combi pull-back | | | | |
| Spindle nose | DU | KK6 | KK8 | KK11 | AP170 | AP220 |
| Total length [mm] | I | 155 | 159 | 165 | 159 | |
| Depth of thread [mm] | M | 18 | | | | |
| Connecting thread inside | S | M135 x 1,5 | | | | |
| Position in clamped position [mm] | AU | 44,5 | 48,5 | 54,5 | 48,5 | |
| Bolt hole circle | V | LK Ø 133,4 [6 x M12] | LK Ø 171,4 [6 x M16] | LK Ø 235 [6 x M20] | LK Ø 133,4 [6 x M12] | LK Ø 171,4 [6 x M16] |
| Material | | 10001930 | 10001931 | 10001935 | 10001932 | 10001933 |

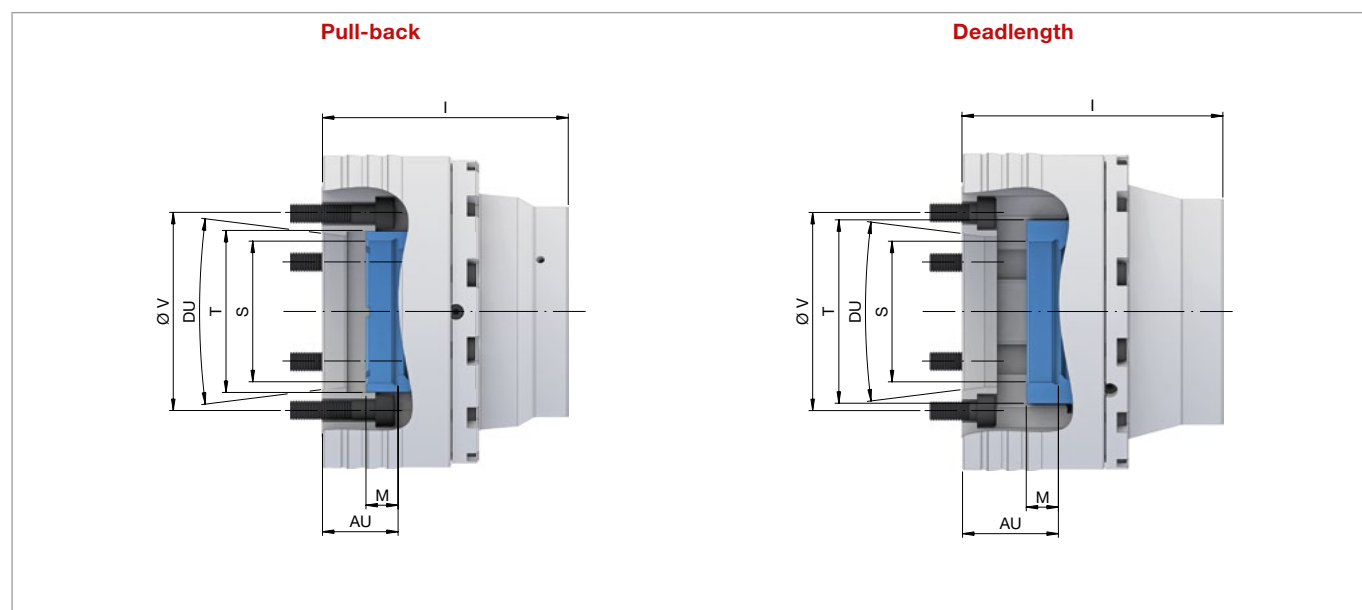
| Size | | 100 | | | |
|-----------------------------------|----|----------------------|----------------------|----------------------|----------------------|
| Variant | | Combi deadlength | | | |
| Spindle nose | DU | KK6 | KK8 | AP170 | AP220 |
| Total length [mm] | I | 175 | | 180 | 170 |
| Depth of thread [mm] | M | 21 | 22,5 | | |
| Connecting thread inside | S | M92 x 1,5 | M125 x 1,5 | | |
| Position in clamped position [mm] | AU | 47,5 | 46,5 | 51,5 | 41,5 |
| Bolt hole circle | V | LK Ø 133,4 [6 x M12] | LK Ø 171,4 [6 x M16] | LK Ø 133,4 [6 x M12] | LK Ø 171,4 [6 x M16] |
| Material | | 10001941 | 10001942 | 10001943 | 10001944 |

| Size | | 100 | | |
|-----------------------------------|----|----------------------|----------------------|----------------------|
| Variant | | Modular | | |
| Spindle nose | DU | KK8 | AP170 | AP220 |
| Total length [mm] | I | 149 | | |
| Depth of thread [mm] | M | 30 | | |
| Connecting thread inside | S | M150 x 1,5 | | |
| Position in clamped position [mm] | AU | 60 | | |
| Bolt hole circle | V | LK Ø 171,4 [6 x M16] | LK Ø 133,4 [6 x M12] | LK Ø 171,4 [6 x M16] |
| Material | | 10001917 | 10001918 | 10001919 |

SPINDLE CONNECTION DATA

SPANNTOP mini chuck

SPANNTOP mini. Spindle connection data



| Size | 32 | | | |
|-----------------------------------|------------------|---------------------|----------|----------------------|
| Variant | Pull-back | | | |
| Spindle nose | DU | KK4 | KK5 | KK6 |
| Total length [mm] | l | 117 | | 140 |
| Depth of thread [mm] | M | 15 | | |
| Connecting thread inside | S | M54 x 1,5 | | M72 x 1,5 |
| Position in clamped position [mm] | AU | 34 | | 57 |
| Bolt hole circle | V | LK Ø 82,6 [6 x M10] | | LK Ø 104,8 [6 x M10] |
| Material | | 10000850 | 10000851 | 10000852 |

| Size | 32 | | | | | |
|-----------------------------------|-------------------|---------------------|----------|----------------------|----------|----------------------|
| Variant | Deadlength | | | | | |
| Spindle nose | DU | KK4 | | KK5 | | KK6 |
| Total length [mm] | l | 112 | 122 | 114 | 122 | 142 |
| Depth of thread [mm] | M | 15 | | | | |
| Connecting thread inside | S | M58 x 1,5 | | | | |
| Position in clamped position [mm] | AU | 31,5 | 41,5 | 33,5 | 41,5 | 61,5 |
| Bolt hole circle | V | LK Ø 82,6 [6 x M10] | | LK Ø 104,8 [6 x M10] | | LK Ø 133,4 [6 x M12] |
| Material | | 10000910 | 10000911 | 10000912 | 10000913 | 10000914 |

| Size | 32 | |
|-----------------------------------|-------------------|----------------------|
| Variant | Deadlength | |
| Spindle nose | DU | AP140 |
| Total length [mm] | l | 101 |
| Depth of thread [mm] | M | 15 |
| Connecting thread inside | S | M58 x 1,5 |
| Position in clamped position [mm] | AU | 20,5 |
| Bolt hole circle | V | LK Ø 104,8 [6 x M10] |
| Material | | 10000968 |

| Size | 42 | | | | | |
|-----------------------------------|------------------|---------------------|----------|----------------------|----------|----------------------|
| Variant | Pull-back | | | | | |
| Spindle nose | DU | KK4 | | KK5 | | KK6 |
| Total length [mm] | l | 122 | 114 | 122 | 140 | 122 |
| Depth of thread [mm] | M | 15 | | | | |
| Connecting thread inside | S | M72 x 1,5 | | M84 x 1,5 | | |
| Position in clamped position [mm] | AU | 40 | 32 | 40 | 58 | 38 |
| Bolt hole circle | V | LK Ø 82,6 [6 x M10] | | LK Ø 104,8 [6 x M10] | | LK Ø 133,4 [6 x M12] |
| Material | | 10000853 | 10000854 | 10000855 | 10000856 | 10000857 |

SPINDLE CONNECTION DATA

SPANNTOP mini chuck

| Size | 42 | | | | | |
|-----------------------------------|-----------|----------------------|----------|-----------|----------|----------------------|
| Variant | Pull-back | | | | | |
| Spindle nose | DU | AP120 | | AP140 | | AP170 |
| Total length [mm] | I | 102 | 115 | 102 | 115 | 102 |
| Depth of thread [mm] | M | 15 | | | | |
| Connecting thread inside | S | M72 x 1,5 | | M62 x 1,5 | | M76 x 1,5 |
| Connecting thread outside | T | | | M72 x 1,5 | | M62 x 1,5 |
| Position in clamped position [mm] | AU | 20 | 33 | 20 | 33 | 20 |
| Bolt hole circle | V | LK Ø 104,8 [6 x M10] | | | | LK Ø 133,4 [6 x M12] |
| Material | | 10000859 | 10000860 | 10000861 | 10000862 | 10000901 |

| Size | 42 | | | | | | |
|-----------------------------------|------------|---------------------|----------------------|----------|----------|----------------------|----------|
| Variant | Deadlength | | | | | | |
| Spindle nose | DU | KK4 | | KK5 | | KK6 | |
| Total length [mm] | I | 125 | 118 | 125 | 142 | 124 | |
| Depth of thread [mm] | M | 15 | | | | | |
| Connecting thread inside | S | M72 x 1,5 | | | | M62 x 1,5 | |
| Connecting thread outside | T | | | | | M72 x 1,5 | |
| Position in clamped position [mm] | AU | 38 | 33 | 40 | 57 | 39 | 57 |
| Bolt hole circle | V | LK Ø 82,6 [6 x M10] | LK Ø 104,8 [6 x M10] | | | LK Ø 133,4 [6 x M12] | |
| Material | | 10000951 | 10000915 | 10000916 | 10000917 | 10000918 | 10000919 |

| Size | 42 | | | | | |
|-----------------------------------|------------|------------------|----------------------|-----------|----------|-----|
| Variant | Deadlength | | | | | |
| Spindle nose | DU | AP110 | AP120 | AP140 | | |
| Total length [mm] | I | 105 | | | | 117 |
| Depth of thread [mm] | M | 15 | | | | |
| Connecting thread inside | S | M72 x 1,5 | | M62 x 1,5 | | |
| Connecting thread outside | T | | | M72 x 1,5 | | |
| Position in clamped position [mm] | AU | 20 | | | 32 | |
| Bolt hole circle | V | LK Ø 95 [6 x M8] | LK Ø 104,8 [6 x M10] | | | |
| Material | | 10000952 | 10000966 | 10000920 | 10000921 | |

| Size | 52 | | | | | |
|-----------------------------------|-----------|----------------------|----------|----------------------|----------|----------------------|
| Variant | Pull-back | | | | | |
| Spindle nose | DU | KK5 | | KK6 | | KK8 |
| Total length [mm] | I | 122 | 145 | 122 | 145 | 120 |
| Depth of thread [mm] | M | 15 | | | | |
| Connecting thread inside | S | M72 x 1,5 | | M90 x 1,5 | | M72 x 1,5 |
| Connecting thread outside | T | | | | | M82 x 1,5 |
| Position in clamped position [mm] | AU | 37 | 60 | 37 | 60 | 35 |
| Bolt hole circle | V | LK Ø 104,8 [6 x M10] | | LK Ø 133,4 [6 x M12] | | LK Ø 171,4 [6 x M16] |
| Material | | 10000864 | 10000865 | 10000866 | 10000867 | 10000894 |

| Size | 52 | | | | | |
|-----------------------------------|-----------|------------------|----------------------|-----------|----------|-----------|
| Variant | Pull-back | | | | | |
| Spindle nose | DU | AP110 | AP120 | AP140 | | |
| Total length [mm] | I | 120 | 105 | 115 | 105 | |
| Depth of thread [mm] | M | 15 | | | | |
| Connecting thread inside | S | M72 x 1,5 | | | | M62 x 1,5 |
| Connecting thread outside | T | | | M72 x 1,5 | | |
| Position in clamped position [mm] | AU | 35 | 20 | 30 | 20 | 30 |
| Bolt hole circle | V | LK Ø 95 [6 x M8] | LK Ø 104,8 [6 x M10] | | | |
| Material | | 10000891 | 10000887 | 10000888 | 10000889 | 10000890 |

| Size | 52 | | | | | |
|-----------------------------------|------------|---------------------|----------------------|-----------|----------------------|----------------------|
| Variant | Deadlength | | | | | |
| Spindle nose | DU | KK4 | KK5 | | KK6 | KK8 |
| Total length [mm] | I | 122 | 147 | 122 | 147 | 120 |
| Depth of thread [mm] | M | 15 | | | | |
| Connecting thread inside | S | M72 x 1,5 | | | | |
| Connecting thread outside | T | | | M82 x 1,5 | | |
| Position in clamped position [mm] | AU | 38 | 63 | 38 | 63 | 36 |
| Bolt hole circle | V | LK Ø 82,6 [6 x M10] | LK Ø 104,8 [6 x M10] | | LK Ø 133,4 [6 x M12] | LK Ø 171,4 [6 x M16] |
| Material | | 10000922 | 10000923 | 10000924 | 10000925 | 10000926 |

SPINDLE CONNECTION DATA

SPANNTOP mini chuck

| Size | | 52 | | | | | |
|-----------------------------------|----|------------------|----------|----------------------|----------|-----------|--|
| Variant | | Deadlength | | | | | |
| Spindle nose | | AP110 | | AP120 | | AP140 | |
| Total length [mm] | I | 100 | 115 | 105 | 115 | 107 | |
| Depth of thread [mm] | M | 15 | | | | | |
| Connecting thread inside | S | M68 x 1,5 | | M72 x 1,5 | | M62 x 1,5 | |
| Connecting thread outside | T | M72 x 1,5 | | | | | |
| Position in clamped position [mm] | AU | 19 | 34 | 21 | 31 | 23 | |
| Bolt hole circle | V | LK Ø 95 [6 x M8] | | LK Ø 104,8 [6 x M10] | | | |
| Material | | 10000944 | 10000953 | 10000927 | 10000928 | 10000929 | |

| Size | | 65 | | | | | | | |
|-----------------------------------|----|----------------------|----------|----------|----------------------|----------|----------|----------------------|----------|
| Variant | | Pull-back | | | | | | | |
| Spindle nose | | KK5 | | | KK6 | | | KK8 | |
| Total length [mm] | I | 124 | 130 | 150 | 126 | 130 | 155 | 130 | 155 |
| Depth of thread [mm] | M | 17 | | | | | | | |
| Connecting thread inside | S | M76 x 1,5 | | | M102 x 1,5 | | | | |
| Position in clamped position [mm] | AU | 34 | 40 | 60 | 36 | 40 | 65 | 40 | 65 |
| Bolt hole circle | V | LK Ø 104,8 [6 x M10] | | | LK Ø 133,4 [6 x M12] | | | LK Ø 171,4 [6 x M16] | |
| Material | | 10000898 | 10000841 | 10000842 | 10000843 | 10000844 | 10000845 | 10000846 | 10000847 |

| Size | | 65 | | | | | |
|-----------------------------------|----|----------------------|----------|-----------|----------|----------------------|----------------------|
| Variant | | Pull-back | | | | | |
| Spindle nose | | AP120 | | AP140 | | AP170 | AP220 |
| Total length [mm] | I | 111 | 120 | 111 | 120 | 115 | 112 |
| Depth of thread [mm] | M | 17 | | | | | |
| Connecting thread inside | S | M76 x 1,5 | | M80 x 1,5 | | M102 x 1,5 | |
| Position in clamped position [mm] | AU | 21 | 30 | 21 | 30 | 25 | 22 |
| Bolt hole circle | V | LK Ø 104,8 [6 x M10] | | | | LK Ø 133,4 [6 x M12] | LK Ø 171,4 [6 x M16] |
| Material | | 10000868 | 10000869 | 10000848 | 10000849 | 10000870 | 10000896 |

| Size | | 65 | | | | | | | |
|-----------------------------------|----|---------------------|----------------------|----------|----------------------|-----------|----------|----------------------|----------|
| Variant | | Deadlength | | | | | | | |
| Spindle nose | | KK4 | | KK5 | | KK6 | | KK8 | |
| Total length [mm] | I | 128 | | 138 | 124 | 138 | 163 | 133 | 163 |
| Depth of thread [mm] | M | 17 | | | | | | | |
| Connecting thread inside | S | M76 x 1,5 | | | | M94 x 1,5 | | | |
| Position in clamped position [mm] | AU | 41 | | 51 | 36 | 50 | 75 | 45 | 75 |
| Bolt hole circle | V | LK Ø 82,6 [6 x M10] | LK Ø 104,8 [6 x M10] | | LK Ø 133,4 [6 x M12] | | | LK Ø 171,4 [6 x M16] | |
| Material | | 10000965 | 10000902 | 10000903 | 10000904 | 10000905 | 10000906 | 10000907 | 10000908 |

| Size | | 65 | | | | | |
|-----------------------------------|----|------------------|----------------------|----------|----------------------|----------|----------------------|
| Variant | | Deadlength | | | | | |
| Spindle nose | | AP110 | AP120 | AP140 | AP170 | | AP220 |
| Total length [mm] | I | 125 | 129 | 138 | 110 | 128 | 111 |
| Depth of thread [mm] | M | 17 | | | | | |
| Connecting thread inside | S | M94 x 1,5 | | | | | |
| Position in clamped position [mm] | AU | 37 | 41 | 50 | 22 | 40 | 23 |
| Bolt hole circle | V | LK Ø 95 [6 x M8] | LK Ø 104,8 [6 x M10] | | LK Ø 133,4 [6 x M12] | | LK Ø 171,4 [6 x M16] |
| Material | | 10000949 | 10000963 | 10000909 | 10000954 | 10000930 | 10000964 |

SPINDLE CONNECTION DATA

SPANNTOP mini chuck

| Size | 80 | | | | | | | | |
|-----------------------------------|-----------|----------------------|----------------------|----------|----------|----------------------|----------|----------|--|
| Variant | Pull-back | | | | | | | | |
| Spindle nose | DU | KK5 | KK6 | | | KK8 | | | |
| Total length [mm] | I | 132 | 128 | 135 | 155 | 132 | 150 | 180 | |
| Depth of thread [mm] | M | 18 | | | | | | | |
| Connecting thread inside | S | M102 x 1,5 | | | | M125 x 1,5 | | | |
| Position in clamped position [mm] | AU | 41 | 37 | 44 | 64 | 40 | 58 | 88 | |
| Bolt hole circle | V | LK Ø 104,8 [6 x M10] | LK Ø 133,4 [6 x M12] | | | LK Ø 171,4 [6 x M16] | | | |
| Material | | 10000892 | 10000871 | 10000872 | 10000873 | 10000874 | 10000875 | 10000876 | |

| Size | 80 | |
|-----------------------------------|-----------|----------------------|
| Variant | Pull-back | |
| Spindle nose | DU | AP170 |
| Total length [mm] | I | 115 |
| Depth of thread [mm] | M | 18 |
| Connecting thread inside | S | M102 x 1,5 |
| Position in clamped position [mm] | AU | 24 |
| Bolt hole circle | V | LK Ø 133,4 [6 x M12] |
| Material | | 10000877 |

| Size | 80 | | | | | | | | |
|-----------------------------------|------------|----------------------|----------------------|----------|----------|----------------------|----------|----------|--|
| Variant | Deadlength | | | | | | | | |
| Spindle nose | DU | KK5 | KK6 | | | KK8 | | | |
| Total length [mm] | I | 136 | 130 | 137 | 157 | 132 | 152 | 182 | |
| Depth of thread [mm] | M | 18 | | | | | | | |
| Connecting thread inside | S | M102 x 1,5 | | | | | | | |
| Position in clamped position [mm] | AU | 43,5 | 37,5 | 44,5 | 64,5 | 39,5 | 59,5 | 89,5 | |
| Bolt hole circle | V | LK Ø 104,8 [6 x M10] | LK Ø 133,4 [6 x M12] | | | LK Ø 171,4 [6 x M16] | | | |
| Material | | 10000945 | 10000931 | 10000932 | 10000933 | 10000934 | 10000935 | 10000936 | |

| Size | 80 | |
|-----------------------------------|------------|----------------------|
| Variant | Deadlength | |
| Spindle nose | DU | AP170 |
| Total length [mm] | I | 115 |
| Depth of thread [mm] | M | 18 |
| Connecting thread inside | S | M102 x 1,5 |
| Position in clamped position [mm] | AU | 22,5 |
| Bolt hole circle | V | LK Ø 133,4 [6 x M12] |
| Material | | 10000946 |

SPINDLE CONNECTION DATA

SPANNTOP mini chuck

| Size | | 100 | | | | | | |
|-----------------------------------|----|-------------------------|-------------------------|----------|-------------------------|------------|-----------------------|-----------------------|
| Variant | | Pull-back | | | | | | |
| Spindle nose | DU | KK5 | KK6 | | KK8 | | KK11 | |
| Total length [mm] | I | 160 | 164 | 170 | 162 | 180 | | 195 |
| Depth of thread [mm] | M | 20 | | | | | | |
| Connecting thread inside | S | M130 x 1,5 | | | | M150 x 1,5 | | |
| Position in clamped position [mm] | AU | 44 | 48 | 54 | 46 | 64 | 56 | 71 |
| Bolt hole circle | V | LK Ø 104,8 [6 x M10] | LK Ø 133,4 [6 x M12] | | LK Ø 171,4 [6 x M16] | | LK Ø 235 [6 x M20] | LK Ø 235 [6 x M20] |
| Material | | 10000893 | 10000879 | 10000880 | 10000881 | 10000882 | 10000883 | 10000884 |

| Size | | 100 | | |
|-----------------------------------|----|----------------------|----------------------|----------------------|
| Variant | | Pull-back | | |
| Spindle nose | DU | AP140 | AP170 | AP220 |
| Total length [mm] | I | 161 | 164 | 150 |
| Depth of thread [mm] | M | 20 | | |
| Connecting thread inside | S | M130 x 1,5 | | |
| Position in clamped position [mm] | AU | 45 | 48 | 34 |
| Bolt hole circle | V | LK Ø 104,8 [6 x M10] | LK Ø 133,4 [6 x M12] | LK Ø 171,4 [6 x M16] |
| Material | | 10000899 | 10000885 | 10000886 |

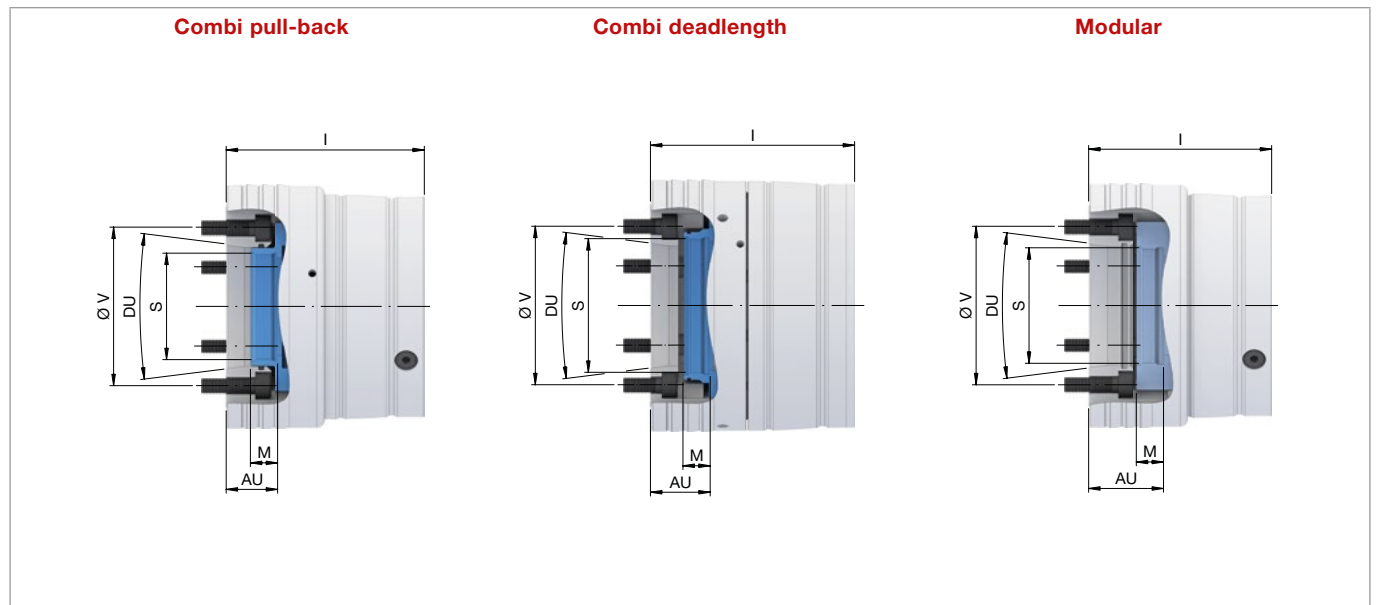
| Size | | 100 | | | | | | |
|-----------------------------------|----|----------------------|----------------------|----------|----------------------|----------|--------------------|----------|
| Variant | | Deadlength | | | | | | |
| Spindle nose | DU | KK5 | KK6 | | KK8 | | KK11 | |
| Total length [mm] | I | 171 | 175 | 182 | 169 | 192 | 185 | 200 |
| Depth of thread [mm] | M | 20 | | | | | | |
| Connecting thread inside | S | M130 x 1,5 | | | | | | |
| Position in clamped position [mm] | AU | 46 | 50 | 57 | 44 | 67 | 60 | 75 |
| Bolt hole circle | V | LK Ø 104,8 [6 x M10] | LK Ø 133,4 [6 x M12] | | LK Ø 171,4 [6 x M16] | | LK Ø 235 [6 x M20] | |
| Material | | 10000959 | 10000938 | 10000939 | 10000940 | 10000941 | 10000960 | 10000961 |

| Size | | 100 | | |
|-----------------------------------|----|----------------------|----------------------|----------------------|
| Variant | | Deadlength | | |
| Spindle nose | DU | AP140 | AP170 | AP220 |
| Total length [mm] | I | 171 | 175 | 162 |
| Depth of thread [mm] | M | 20 | | |
| Connecting thread inside | S | M130 x 1,5 | | |
| Position in clamped position [mm] | AU | 46 | 50 | 37 |
| Bolt hole circle | V | LK Ø 104,8 [6 x M10] | LK Ø 133,4 [6 x M12] | LK Ø 171,4 [6 x M16] |
| Material | | 10000962 | 10000942 | 10000943 |

SPINDLE CONNECTION DATA

SPANNTOP nova chuck

SPANNTOP nova. Spindle connection data



| Size | 32 | | |
|-----------------------------------|-----------------|---------------------|----------------------|
| Variant | Combi pull-back | | |
| Spindle nose | DU | KK4 | KK5 |
| Total length [mm] | I | 117 | |
| Depth of thread [mm] | M | 18 | 17 |
| Connecting thread inside | S | M52 x 1,5 | M70 x 1,5 |
| Position in clamped position [mm] | AU | 34,5 | |
| Bolt hole circle | V | LK Ø 82,6 [6 x M10] | LK Ø 104,8 [6 x M10] |
| Material | | 10001768 | 10001769 |

| Size | 32 | | |
|-----------------------------------|------------------|---------------------|----------------------|
| Variant | Combi deadlength | | |
| Spindle nose | DU | KK4 | KK5 |
| Total length [mm] | I | 120 | |
| Depth of thread [mm] | M | 15 | |
| Connecting thread inside | S | M52 x 1,5 | |
| Position in clamped position [mm] | AU | 34,5 | |
| Bolt hole circle | V | LK Ø 82,6 [6 x M10] | LK Ø 104,8 [6 x M10] |
| Material | | 10001810 | 10001811 |

| Size | 32 | | |
|-----------------------------------|---------|---------------------|----------------------|
| Variant | Modular | | |
| Spindle nose | DU | KK4 | KK5 |
| Total length [mm] | I | 107 | |
| Depth of thread [mm] | M | 18 | |
| Connecting thread inside | S | M55 x 1,5 | |
| Position in clamped position [mm] | AU | 48 | |
| Bolt hole circle | V | LK Ø 82,6 [3 x M10] | LK Ø 104,8 [6 x M10] |
| Material | | 10001739 | 10001740 |

| Size | 42 | | | | | |
|-----------------------------------|-----------------|---------------------|----------------------|----------------------|----------------------|----------|
| Variant | Combi pull-back | | | | | |
| Spindle nose | DU | KK4 | KK5 | KK6 | AP120 | AP140 |
| Total length [mm] | I | 122 | | 115 | | |
| Depth of thread [mm] | M | 16 | 17 | 16 | 17 | |
| Connecting thread inside | S | M52 x 1,5 | M72 x 1,5 | M85 x 1,5 | M72 x 1,5 | |
| Position in clamped position [mm] | AU | 32,5 | 35,5 | | 28,5 | |
| Bolt hole circle | V | LK Ø 82,6 [6 x M10] | LK Ø 104,8 [6 x M10] | LK Ø 133,4 [6 x M12] | LK Ø 104,8 [6 x M10] | |
| Material | | 10001792 | 10001770 | 10001771 | 10001781 | 10001782 |

SPINDLE CONNECTION DATA
SPANNTOP nova chuck

| Size | 42 | | | |
|-----------------------------------|-------------------------|----------------------|----------------------|----------------------|
| Variant | Combi deadlength | | | |
| Spindle nose | DU | KK5 | KK6 | AP140 |
| Total length [mm] | I | 120 | | 110 |
| Depth of thread [mm] | M | 15,5 | | |
| Connecting thread inside | S | M76 x 1,5 | | |
| Position in clamped position [mm] | AU | 34 | | 24 |
| Bolt hole circle | V | LK Ø 104,8 [6 x M10] | LK Ø 133,4 [6 x M12] | LK Ø 104,8 [6 x M10] |
| Material | | 10001812 | 10001813 | 10001823 |

| Size | 42 | | | | |
|-----------------------------------|----------------|----------------------|----------------------|----------------------|----------|
| Variant | Modular | | | | |
| Spindle nose | DU | KK5 | KK6 | AP120 | AP140 |
| Total length [mm] | I | 112 | | 105 | |
| Depth of thread [mm] | M | 18 | | | |
| Connecting thread inside | S | M78 x 1,5 | | | |
| Position in clamped position [mm] | AU | 46,5 | | 39,5 | |
| Bolt hole circle | V | LK Ø 104,8 [6 x M10] | LK Ø 133,4 [6 x M12] | LK Ø 104,8 [6 x M10] | |
| Material | | 10001741 | 10001742 | 10001751 | 10001752 |

| Size | 52 | | | | |
|-----------------------------------|------------------------|----------------------|----------------------|----------------------|----------|
| Variant | Combi pull-back | | | | |
| Spindle nose | DU | KK5 | KK6 | AP120 | AP140 |
| Total length [mm] | I | 122 | | 115 | |
| Depth of thread [mm] | M | 17 | 16 | 17 | |
| Connecting thread inside | S | M72 x 1,5 | M85 x 1,5 | M72 x 1,5 | |
| Position in clamped position [mm] | AU | 35,5 | | 28,5 | |
| Bolt hole circle | V | LK Ø 104,8 [6 x M10] | LK Ø 133,4 [6 x M12] | LK Ø 104,8 [6 x M10] | |
| Material | | 10001772 | 10001773 | 10001783 | 10001784 |

| Size | 52 | | | | |
|-----------------------------------|-------------------------|----------------------|----------------------|----------------------|----------|
| Variant | Combi deadlength | | | | |
| Spindle nose | DU | KK5 | KK6 | AP120 | AP140 |
| Total length [mm] | I | 120 | | 110 | |
| Depth of thread [mm] | M | 15,5 | | | |
| Connecting thread inside | S | M76 x 1,5 | | | |
| Position in clamped position [mm] | AU | 34 | | 24 | |
| Bolt hole circle | V | LK Ø 104,8 [6 x M10] | LK Ø 133,4 [6 x M12] | LK Ø 104,8 [6 x M10] | |
| Material | | 10001814 | 10001815 | 10001830 | 10001824 |

| Size | 52 | | | | |
|-----------------------------------|----------------|----------------------|----------------------|----------------------|----------|
| Variant | Modular | | | | |
| Spindle nose | DU | KK5 | KK6 | AP120 | AP140 |
| Total length [mm] | I | 112 | | 105 | |
| Depth of thread [mm] | M | 16 | | | |
| Connecting thread inside | S | M78 x 1,5 | | | |
| Position in clamped position [mm] | AU | 44,5 | | 37,5 | |
| Bolt hole circle | V | LK Ø 104,8 [6 x M10] | LK Ø 133,4 [6 x M12] | LK Ø 104,8 [6 x M10] | |
| Material | | 10001743 | 10001744 | 10001753 | 10001754 |

| Size | 65 | | | | | | |
|-----------------------------------|------------------------|----------------------|----------------------|----------------------|----------------------|----------|----------------------|
| Variant | Combi pull-back | | | | | | |
| Spindle nose | DU | KK5 | KK6 | KK8 | AP120 | AP140 | AP170 |
| Total length [mm] | I | 131 | 130 | 131 | 120 | | 115 |
| Depth of thread [mm] | M | 18 | | | | | |
| Connecting thread inside | S | M72 x 1,5 | M105 x 1,5 | | M72 x 1,5 | | M105 x 1,5 |
| Position in clamped position [mm] | AU | 34 | 37 | 38 | 23 | | 22 |
| Bolt hole circle | V | LK Ø 104,8 [6 x M10] | LK Ø 133,4 [6 x M12] | LK Ø 171,4 [6 x M16] | LK Ø 104,8 [6 x M10] | | LK Ø 133,4 [6 x M12] |
| Material | | 10001774 | 10001775 | 10001776 | 10001785 | 10001786 | 10001787 |

SPINDLE CONNECTION DATA

SPANNTOP nova chuck

| Size | | 65 | | | | |
|-----------------------------------|----|----------------------|----------------------|----------------------|----------------------|----------------------|
| Variant | | Combi deadlength | | | | |
| Spindle nose | DU | KK5 | KK6 | KK8 | AP140 | AP170 |
| Total length [mm] | I | 135 | | | 125 | |
| Depth of thread [mm] | M | 18 | | | | |
| Connecting thread inside | S | M90 x 1,5 | | | | |
| Position in clamped position [mm] | AU | 39,5 | | | | 29,5 |
| Bolt hole circle | V | LK Ø 104,8 [6 x M10] | LK Ø 133,4 [6 x M12] | LK Ø 171,4 [6 x M16] | LK Ø 104,8 [6 x M10] | LK Ø 133,4 [6 x M12] |
| Material | | 10001816 | 10001817 | 10001818 | 10001825 | 10001826 |

| Size | | 65 | | | | | |
|-----------------------------------|----|----------------------|----------------------|----------------------|----------------------|----------|----------------------|
| Variant | | Modular | | | | | |
| Spindle nose | DU | KK5 | KK6 | KK8 | AP120 | AP140 | AP170 |
| Total length [mm] | I | 121 | 120 | 121 | 110 | | 105 |
| Depth of thread [mm] | M | 18 | 25 | 18 | | | |
| Connecting thread inside | S | M78 x 1,5 | M95 x 1,5 | M78 x 1,5 | | | |
| Position in clamped position [mm] | AU | 49,5 | 42,5 | 49,5 | 38,5 | | 33,5 |
| Bolt hole circle | V | LK Ø 104,8 [6 x M10] | LK Ø 133,4 [6 x M12] | LK Ø 171,4 [6 x M16] | LK Ø 104,8 [6 x M10] | | LK Ø 133,4 [6 x M12] |
| Material | | 10001745 | 10001746 | 10001747 | 10001755 | 10001756 | 10001757 |

| Size | | 80 | | | | |
|-----------------------------------|----|----------------------|----------------------|----------------------|----------------------|----------------------|
| Variant | | Combi pull-back | | | | |
| Spindle nose | DU | KK5 | KK6 | KK8 | AP170 | AP220 |
| Total length [mm] | I | 134 | 135 | 140 | 135 | 148 |
| Depth of thread [mm] | M | 18 | | | | |
| Connecting thread inside | S | M102 x 1,5 | | | | |
| Position in clamped position [mm] | AU | 40,5 | 41,5 | 46,5 | 41,5 | 54,5 |
| Bolt hole circle | V | LK Ø 104,8 [6 x M10] | LK Ø 133,4 [6 x M12] | LK Ø 171,4 [6 x M16] | LK Ø 133,4 [6 x M12] | LK Ø 171,4 [6 x M16] |
| Material | | 10001803 | 10001777 | 10001778 | 10001788 | 10001789 |

| Size | | 80 | | |
|-----------------------------------|----|----------------------|----------------------|----------------------|
| Variant | | Combi deadlength | | |
| Spindle nose | DU | KK6 | KK8 | AP140 |
| Total length [mm] | I | 145 | | |
| Depth of thread [mm] | M | 20 | | |
| Connecting thread inside | S | M92 x 1,5 | | |
| Position in clamped position [mm] | AU | 44,5 | | |
| Bolt hole circle | V | LK Ø 133,4 [6 x M12] | LK Ø 171,4 [6 x M16] | LK Ø 104,8 [6 x M10] |
| Material | | 10001819 | 10001820 | 10001827 |

| Size | | 80 | | |
|-----------------------------------|----|----------------------|----------------------|----------|
| Variant | | Modular | | |
| Spindle nose | DU | KK6 | KK8 | AP220 |
| Total length [mm] | I | 125 | 130 | 138 |
| Depth of thread [mm] | M | 25 | | |
| Connecting thread inside | S | M112 x 1,5 | | |
| Position in clamped position [mm] | AU | 48 | 53 | 61 |
| Bolt hole circle | V | LK Ø 133,4 [6 x M12] | LK Ø 171,4 [6 x M16] | |
| Material | | 10001748 | 10001749 | 10001758 |

| Size | | 100 | | | | |
|-----------------------------------|----|----------------------|----------------------|--------------------|----------------------|----------------------|
| Variant | | Combi pull-back | | | | |
| Spindle nose | DU | KK6 | KK8 | KK11 | AP170 | AP220 |
| Total length [mm] | I | 155 | 159 | 165 | 159 | |
| Depth of thread [mm] | M | 18 | | | | |
| Connecting thread inside | S | M135 x 1,5 | | | | |
| Position in clamped position [mm] | AU | 44,5 | 48,5 | 54,5 | 48,5 | |
| Bolt hole circle | V | LK Ø 133,4 [6 x M12] | LK Ø 171,4 [6 x M16] | LK Ø 235 [6 x M20] | LK Ø 133,4 [6 x M12] | LK Ø 171,4 [6 x M16] |
| Material | | 10001779 | 10001780 | 10001793 | 10001790 | 10001791 |

SPINDLE CONNECTION DATA
SPANNTOP nova chuck

| Size | 100 | | | | | |
|-----------------------------------|-------------------------|----------------------|----------------------|--------------------|----------------------|----------------------|
| Variant | Combi deadlength | | | | | |
| Spindle nose | DU | KK6 | KK8 | KK11 | AP170 | AP220 |
| Total length [mm] | I | 175 | | 180 | | 170 |
| Depth of thread [mm] | M | 21 | | 22,5 | | |
| Connecting thread inside | S | M92 x 1,5 | | M125 x 1,5 | | |
| Position in clamped position [mm] | AU | 47,5 | | 46,5 | | 41,5 |
| Bolt hole circle | V | LK Ø 133,4 [6 x M12] | LK Ø 171,4 [6 x M16] | LK Ø 235 [6 x M20] | LK Ø 133,4 [6 x M12] | LK Ø 171,4 [6 x M16] |
| Material | | 10001821 | 10001822 | 10001837 | 10001828 | 10001829 |

| Size | 100 | | | | | |
|-----------------------------------|----------------|----------------------|--------------------|----------------------|----------------------|----|
| Variant | Modular | | | | | |
| Spindle nose | DU | KK8 | KK11 | AP170 | AP220 | |
| Total length [mm] | I | 149 | 155 | 149 | | |
| Depth of thread [mm] | M | 30 | | | | |
| Connecting thread inside | S | M150 x 1,5 | | | | |
| Position in clamped position [mm] | AU | 60 | | 66 | | 60 |
| Bolt hole circle | V | LK Ø 171,4 [6 x M16] | LK Ø 235 [6 x M20] | LK Ø 133,4 [6 x M12] | LK Ø 171,4 [6 x M16] | |
| Material | | 10001750 | 10001761 | 10001759 | 10001760 | |

| Size | 125 | | | | | |
|-----------------------------------|------------------------|----------------------|----------------------|--------------------|----------------------|----------------------|
| Variant | Combi pull-back | | | | | |
| Spindle nose | DU | KK6 | KK8 | KK11 | AP170 | AP220 |
| Total length [mm] | I | 191 | | 185 | | 190 |
| Depth of thread [mm] | M | 20 | | | | |
| Connecting thread inside | S | M142 x 1,5 | | | | |
| Position in clamped position [mm] | AU | 55 | | 49 | | 54 |
| Bolt hole circle | V | LK Ø 133,4 [6 x M12] | LK Ø 171,4 [6 x M16] | LK Ø 235 [6 x M20] | LK Ø 133,4 [6 x M12] | LK Ø 171,4 [6 x M16] |
| Material | | 10001804 | 10001805 | 10001806 | 10001807 | 10001808 |

| Size | 125 | | | | | |
|-----------------------------------|-------------------------|----------------------|----------------------|--------------------|----------------------|----------------------|
| Variant | Combi deadlength | | | | | |
| Spindle nose | DU | KK6 | KK8 | KK11 | AP170 | AP220 |
| Total length [mm] | I | 190 | 200 | | 185 | 190 |
| Depth of thread [mm] | M | 20 | | | | |
| Connecting thread inside | S | M136 x 1,5 | | | | |
| Position in clamped position [mm] | AU | 52 | | 62 | | 47 |
| Bolt hole circle | V | LK Ø 133,4 [6 x M12] | LK Ø 171,4 [6 x M16] | LK Ø 235 [6 x M20] | LK Ø 133,4 [6 x M12] | LK Ø 171,4 [6 x M16] |
| Material | | 10001832 | 10001833 | 10001834 | 10001835 | 10001836 |

| Size | 125 | | | | | |
|-----------------------------------|----------------|----------------------|----------------------|--------------------|----------------------|----------------------|
| Variant | Modular | | | | | |
| Spindle nose | DU | KK6 | KK8 | KK11 | AP170 | AP220 |
| Total length [mm] | I | 178 | | | | 177 |
| Depth of thread [mm] | M | 25 | | | | |
| Connecting thread inside | S | M142 x 1,5 | | | | |
| Position in clamped position [mm] | AU | 59 | | 53 | | 58 |
| Bolt hole circle | V | LK Ø 133,4 [6 x M12] | LK Ø 171,4 [6 x M16] | LK Ø 235 [6 x M20] | LK Ø 133,4 [6 x M12] | LK Ø 171,4 [6 x M16] |
| Material | | 10001763 | 10001764 | 10001765 | 10001766 | 10001767 |

| Size | 160 | | | | | |
|-----------------------------------|------------------------|----------------------|----------------------|--------------------|----------------------|----------------------|
| Variant | Combi pull-back | | | | | |
| Spindle nose | DU | KK6 | KK8 | KK11 | AP170 | AP220 |
| Total length [mm] | I | 190 | 195 | 200 | 189 | 194 |
| Depth of thread [mm] | M | 22 | | | | |
| Connecting thread inside | S | M174 x 1,5 | | | | |
| Position in clamped position [mm] | AU | 54 | 59 | 64 | 53 | 58 |
| Bolt hole circle | V | LK Ø 133,4 [6 x M12] | LK Ø 171,4 [6 x M16] | LK Ø 235 [6 x M20] | LK Ø 133,4 [6 x M12] | LK Ø 171,4 [6 x M16] |
| Material | | 10014974 | 10014977 | 10014978 | 10014979 | 10014980 |