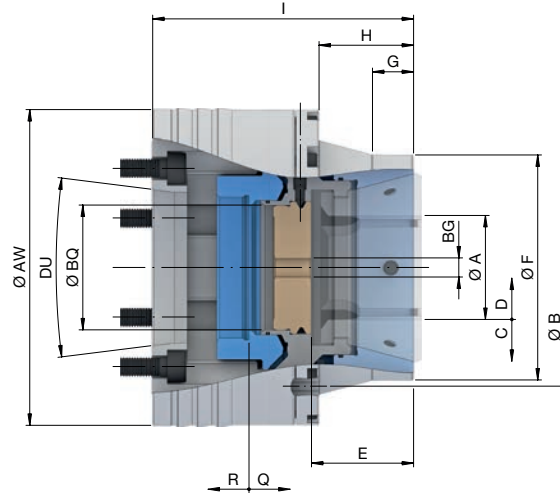




SPANNTOP mini deadlength size 32. Technical data



Size	32	
Variant	Deadlength	
Run-out ≤ [mm]	0,020	
Max. radial clamping force [kN]	70	
Max. axial compression force [kN]	25	
RPM n max. [1/min.]	8000	
Clamping range [mm]	A	3 – 32
Release stroke in Ø [mm]	C	0,6
Reserve stroke in Ø [mm]	D	1
Range / recommended workpiece tolerance [mm]	± 0,3	
End-stop depth [mm]	E	45,5
Ø Capacity [mm]	BQ	33
End-stop thread size [M]	BG	10
Location front end-stop	F	Ø 74 f7
Centering length [mm]	G	15
Bolt hole circle end-stop	B	LK Ø 115 [3 x M6]
Length [mm]	H	44
Reserve stroke axial [mm]	Q	2,5
Release stroke axial [mm]	R	3

Spindle nose	DU	A2-4		A2-5		A2-6
Total length [mm]	I	112	122	114	122	142
Outer Ø [mm]	AW	130		130		159
Weight [kg]		6,6	7,2	6,4	6,8	7,8
In stock		✓	✓	✓	✓	✓
Material no.		10000910	10000911	10000912	10000913	10000914

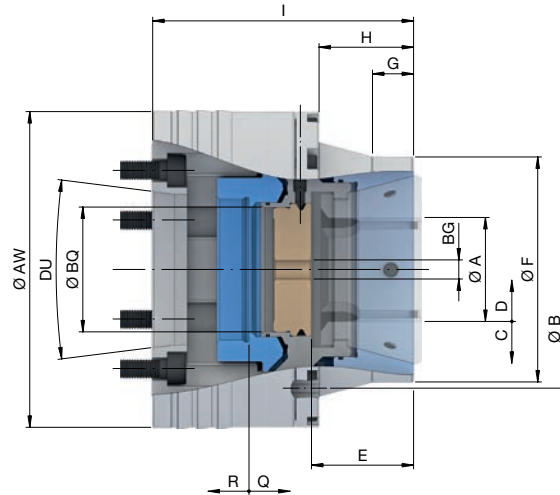
Spindle nose	DU	AP140	
Total length [mm]	I	101	
Outer Ø [mm]	AW	149	
Weight [kg]		7,2	
In stock		✓	
Material no.		10000968	

→

Clamping heads	Accessory overview
Page 430	Page 478



SPANNTOP mini deadlength size 42. Technical data



Size	42	
Variant	Deadlength	
Run-out ≤ [mm]		0,020
Max. radial clamping force [kN]		80
Max. axial compression force [kN]		35
RPM n max. [1/min.]		7000
Clamping range [mm]	A	3 – 42
Release stroke in Ø [mm]	C	0,6
Reserve stroke in Ø [mm]	D	1
Range / recommended workpiece tolerance [mm]		± 0,5
End-stop depth [mm]	E	45,8
Ø Capacity [mm]	BQ	44
End-stop thread size [M]	BG	10
Location front end-stop	F	Ø 98 f7
Centering length [mm]	G	25
Bolt hole circle end-stop	B	LK Ø 113 [9 x M6]
Length [mm]	H	44
Reserve stroke axial [mm]	Q	2
Release stroke axial [mm]	R	2,5

Spindle nose	DU	A2-4		A2-5		A2-6	
Total length [mm]	I	125	118	125	142	124	142
Outer Ø [mm]	AW	139				159	
Weight [kg]		8,5	7,9	8,4	9,5	10	11,3
In stock		✓	✓	✓	✓	✓	✓
Material no.		10000951	10000915	10000916	10000917	10000918	10000919

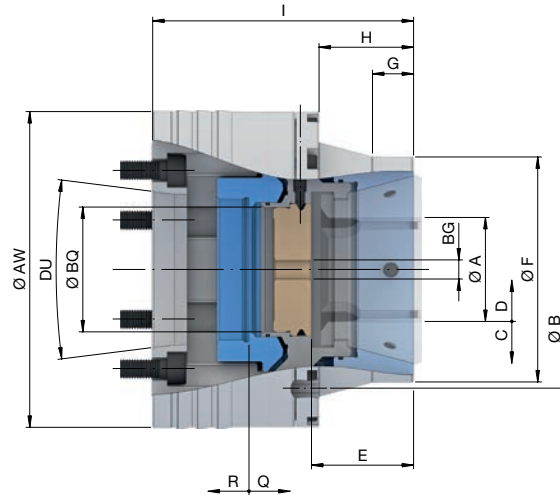
Spindle nose	DU	AP110		AP120		AP140	
Total length [mm]	I	105		105		117	
Outer Ø [mm]	AW	149					
Weight [kg]		8,2	8,1	8	9		
In stock		✓	✓	✓	✓		
Material no.		10000952	10000966	10000920	10000921		

➔

Clamping heads Page 430	Adaptations I.D. clamping Page 308	Accessory overview Page 478



SPANNTOP mini deadlength size 52. Technical data



Size	52	
Variant	Deadlength	
Run-out ≤ [mm]	0,020	
Max. radial clamping force [kN]	94	
Max. axial compression force [kN]	40	
RPM n max. [1/min.]	7000	
Clamping range [mm]	A	3 – 52
Release stroke in Ø [mm]	C	0,6
Reserve stroke in Ø [mm]	D	1
Range / recommended workpiece tolerance [mm]	± 0,5	
End-stop depth [mm]	E	45,8
Ø Capacity [mm]	BQ	53
End-stop thread size [M]	BG	10
Location front end-stop	F	Ø 98 f7
Centering length [mm]	G	23
Bolt hole circle end-stop	B	LK Ø 125 [9 x M6]
Length [mm]	H	44
Reserve stroke axial [mm]	Q	2
Release stroke axial [mm]	R	2,5

Spindle nose	DU	A2-4	A2-5	A2-6	A2-8
Total length [mm]	I	122	147	122	120
Outer Ø [mm]	AW	149	149	163	202
Weight [kg]		9,7	9,4	10,4	12,4
In stock		✓	✓	✓	✓
Material no.		10000922	10000923	10000925	10000950

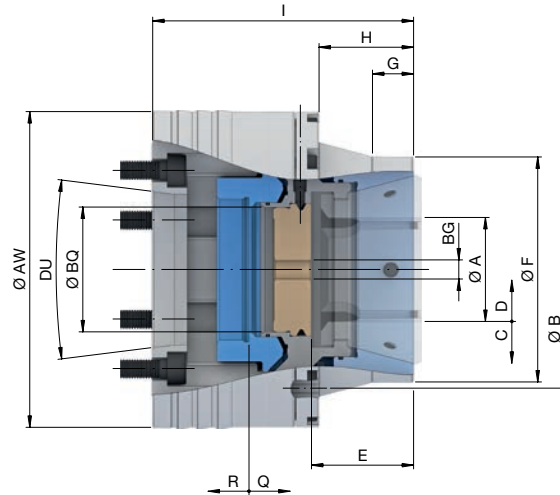
Spindle nose	DU	AP110	AP120	AP140
Total length [mm]	I	100	115	107
Outer Ø [mm]	AW	149	149	149
Weight [kg]		7,8	9,1	8,9
In stock		✓	✓	✓
Material no.		10000944	10000953	10000929

➔

Clamping heads Page 430	Adaptations I.D. clamping Page 308	Accessory overview Page 478



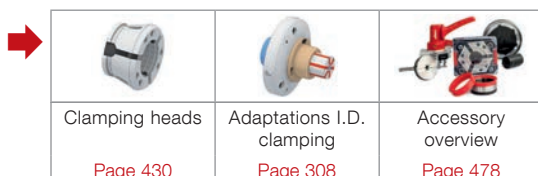
SPANNTOP mini deadlength size 65. Technical data



Size	65	
Variant	Deadlength	
Run-out ≤ [mm]	0,020	
Max. radial clamping force [kN]	105	
Max. axial compression force [kN]	45	
RPM n max. [1/min.]	6000	
Clamping range [mm]	A	3 – 65
Release stroke in Ø [mm]	C	0,6
Reserve stroke in Ø [mm]	D	1
Range / recommended workpiece tolerance [mm]	± 0,5	
End-stop depth [mm]	E	54
Ø Capacity [mm]	BQ	66
End-stop thread size [M]	BG	12
Location front end-stop	F	Ø 119 f7
Centering length [mm]	G	22
Bolt hole circle end-stop	B	LK Ø 145 [9 x M6]
Length [mm]	H	50
Reserve stroke axial [mm]	Q	2
Release stroke axial [mm]	R	2,5

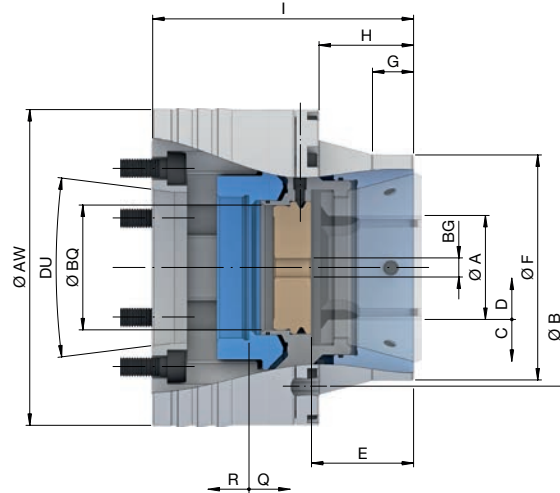
Spindle nose	DU	A2-4	A2-5	A2-6	A2-8				
Total length [mm]	I	128	138	124	133	163			
Outer Ø [mm]	AW	167			202				
Weight [kg]		12,9	12,3	13,3	11,3	12,5	14,8	15,8	19,1
In stock		✓	✓	✓	✓	✓	✓	✓	✓
Material no.		10000965	10000902	10000903	10000904	10000905	10000906	10000907	10000908

Spindle nose	DU	AP110	AP120	AP140	AP170	AP220	
Total length [mm]	I	125	129	138	110	128	111
Outer Ø [mm]	AW	167			180	230	
Weight [kg]		12,6		13,3	11,4	13,5	17
In stock		✓	✓	✓	✓	✓	✓
Material no.		10000949	10000963	10000909	10000954	10000930	10000964





SPANNTOP mini deadlength size 80. Technical data



Size	80	
Variant	Deadlength	
Run-out ≤ [mm]	0,020	
Max. radial clamping force [kN]	115	
Max. axial compression force [kN]	50	
RPM n max. [1/min.]	5500	
Clamping range [mm]	A	4 – 80
Release stroke in Ø [mm]	C	0,6
Reserve stroke in Ø [mm]	D	1
Range / recommended workpiece tolerance [mm]	± 0,5	
End-stop depth [mm]	E	55
Ø Capacity [mm]	BQ	82
End-stop thread size [M]	BG	12
Location front end-stop	F	Ø 136 f7
Centering length [mm]	G	22
Bolt hole circle end-stop	B	LK Ø 160,5 [9 x M6]
Length [mm]	H	51
Reserve stroke axial [mm]	Q	2
Release stroke axial [mm]	R	2,5

Spindle nose	DU	A2-5		A2-6		A2-8			
Total length [mm]	I	136	130	137	157	132	152	182	
Outer Ø [mm]	AW	180					205		
Weight [kg]		15,4	13,9	14,6	16,7	16,9	19,2	22,8	
In stock		✓	✓	✓	✓	✓	✓	✓	
Material no.		10000945	10000931	10000932	10000933	10000934	10000935	10000936	

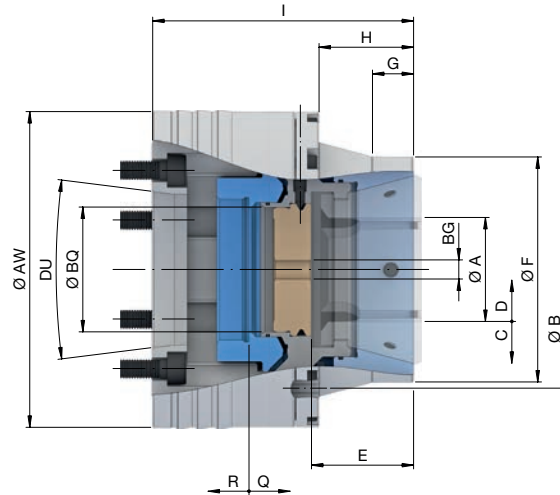
Spindle nose	DU	AP140		AP170	
Total length [mm]	I	134		115	
Outer Ø [mm]	AW	180			
Weight [kg]		15,4		12,2	
In stock		✓		✓	
Material no.		10000937		10000946	

➔

Clamping heads Page 430	Adaptations I.D. clamping Page 308	Accessory overview Page 478



SPANNTOP mini deadlength size 100. Technical data



Size	100	
Variant	Deadlength	
Run-out ≤ [mm]	0,025	
Max. radial clamping force [kN]	150	
Max. axial compression force [kN]	65	
RPM n max. [1/min.]	5000	
Clamping range [mm]	A	15 – 100
Release stroke in Ø [mm]	C	2
Reserve stroke in Ø [mm]	D	1,5
Range / recommended workpiece tolerance [mm]	± 1,0	
End-stop depth [mm]	E	74
Ø Capacity [mm]	BQ	102
End-stop thread size [M]	BG	12
Location front end-stop	F	Ø 168 f7
Centering length [mm]	G	22
Bolt hole circle end-stop	B	LK Ø 208 [3 x M6]
Length [mm]	H	64
Reserve stroke axial [mm]	Q	3
Release stroke axial [mm]	R	5

Spindle nose	DU	A2-5			A2-6		A2-8		A2-11	
Total length [mm]	I	171	175	182	169	192	185	200		
Outer Ø [mm]	AW	221								
Weight [kg]		28,6	29	30,2	26,4	29,8	39,6	42,6		
In stock		✓	✓	✓	✓	✓	✓	✓		
Material no.		10000959	10000938	10000939	10000940	10000941	10000960	10000961		

Spindle nose	DU	AP140		AP170		AP220	
Total length [mm]	I	171		175		162	
Outer Ø [mm]	AW	221					
Weight [kg]		29,6		29,4		27,1	
In stock		✓		✓		✓	
Material no.		10000962		10000942		10000943	

➔

		
Clamping heads	Clamping head adapter	Accessory overview
Page 430	Page 513	Page 478