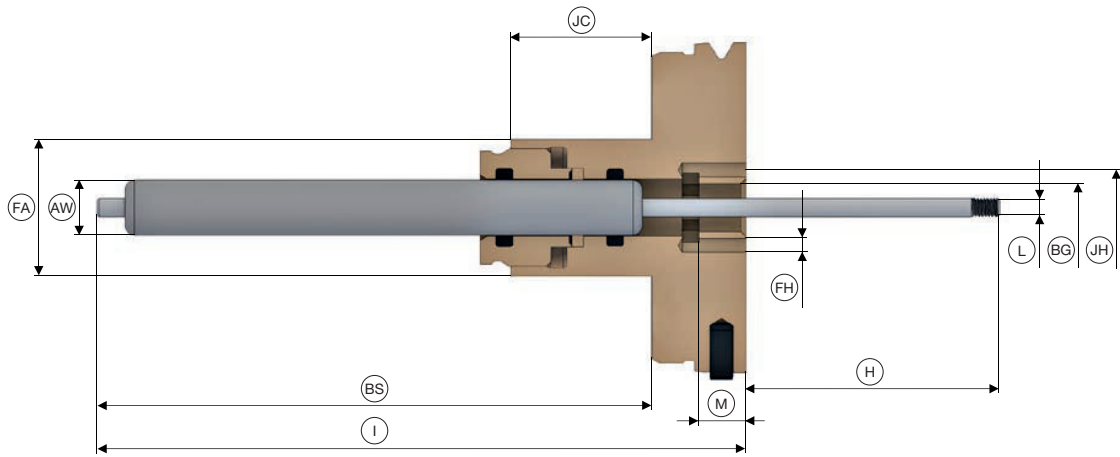


ACCESSORIES

End-stop system vario flex

vario flex. Technical data



Suitable for	TOPlus mini pull-back / deadlength SPANNTOP mini pull-back / deadlength								
Size		32	40	42	52	65	80	100	
Length [mm]	H	45	48,1	42,6	46	54		72	
Piston force [N]						40			
Thread size [M]	L					4			
End-stop thread size [M]	BG	10				12			
Depth of thread [mm]	M					10			
Total length [mm]	I	127	123,9	129,4	126	138		160	
Length 2 [mm]	BS	113,5	111	116	106	118		138	
Outer Ø [mm]	AW					12			
Length 3 [mm]	JC					30			
Outer Ø 2 [mm]	FA					29			
Bore-Ø	FH					3			
Bolt hole circle [mm]	JH	14				16			
Wrench size [SW]	BT					24			
In stock		✓	✓	✓	✓	✓	✓	✓	
Order no.		10924/0007	10924/0008	10924/0009	10924/0010	10924/0011	10924/0012	10924/0013	

Suitable for	TOPlus combi pull-back / combi deadlength SPANNTOP nova combi pull-back / combi deadlength							
Size		32	42	52	65	80	100	
Length [mm]	H	53,5	56		65		85	
Piston force [N]						40		
Thread size [M]	L					4		
End-stop thread size [M]	BG	10				12		
Depth of thread [mm]	M					10		
Total length [mm]	I	118,5	116		127		147	
Length 2 [mm]	BS	101,5	99		110		127	
Outer Ø [mm]	AW					12		
Length 3 [mm]	JC					30		
Outer Ø 2 [mm]	FA					29		
Bore-Ø	FH					3		
Bolt hole circle [mm]	JH	14				16		
Wrench size [SW]	BT					24		
In stock		✓	✓	✓	✓	✓	✓	
Order no.		10924/0001	10924/0002	10924/0003	10924/0004	10924/0005	10924/0006	