



hainBOX

clever adaptable storage system

hainBOX – Innovation with system

The storage system for clamping heads:

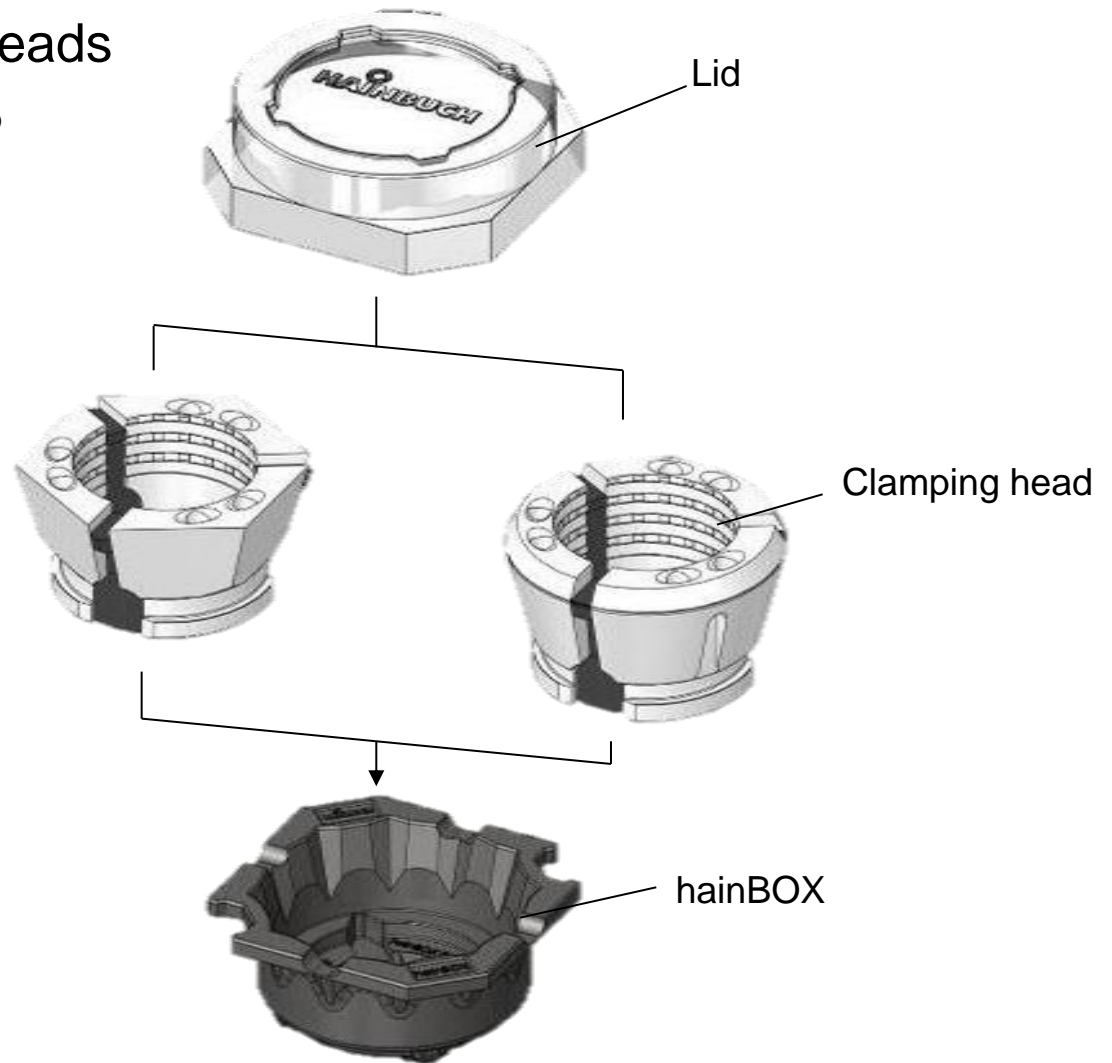
- Order and structure in the workshop
- Safe & optimal storage space utilization



hainBOX

For RD and SE clamping heads

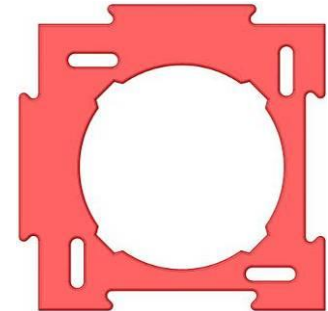
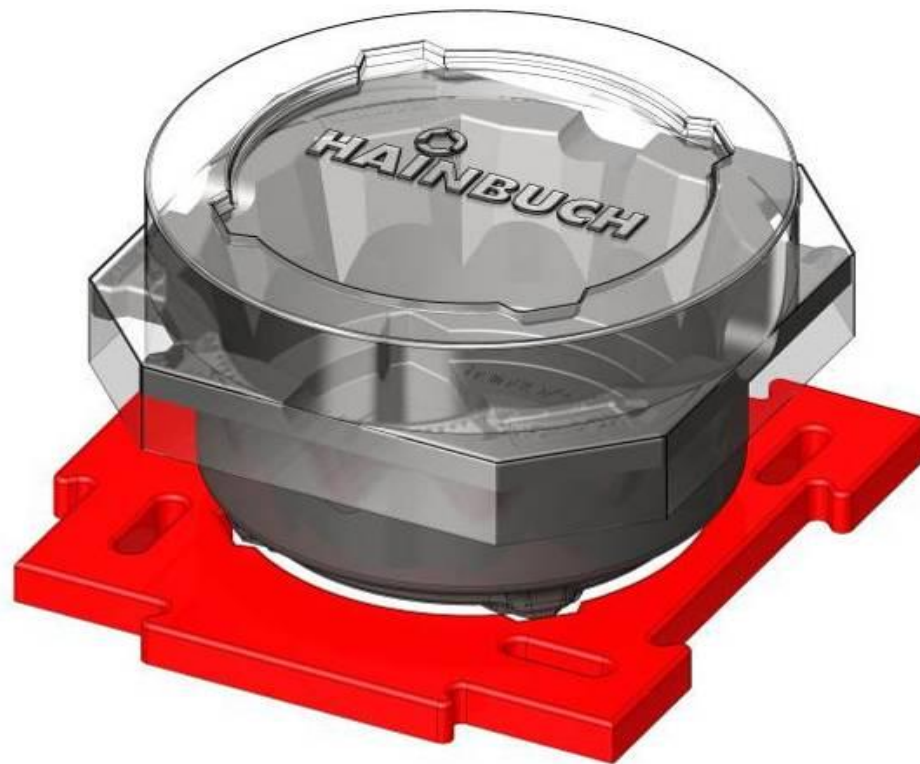
- Size 42/52 and size 65



hainBOX

The sorting piece arranges the hainBOXes:

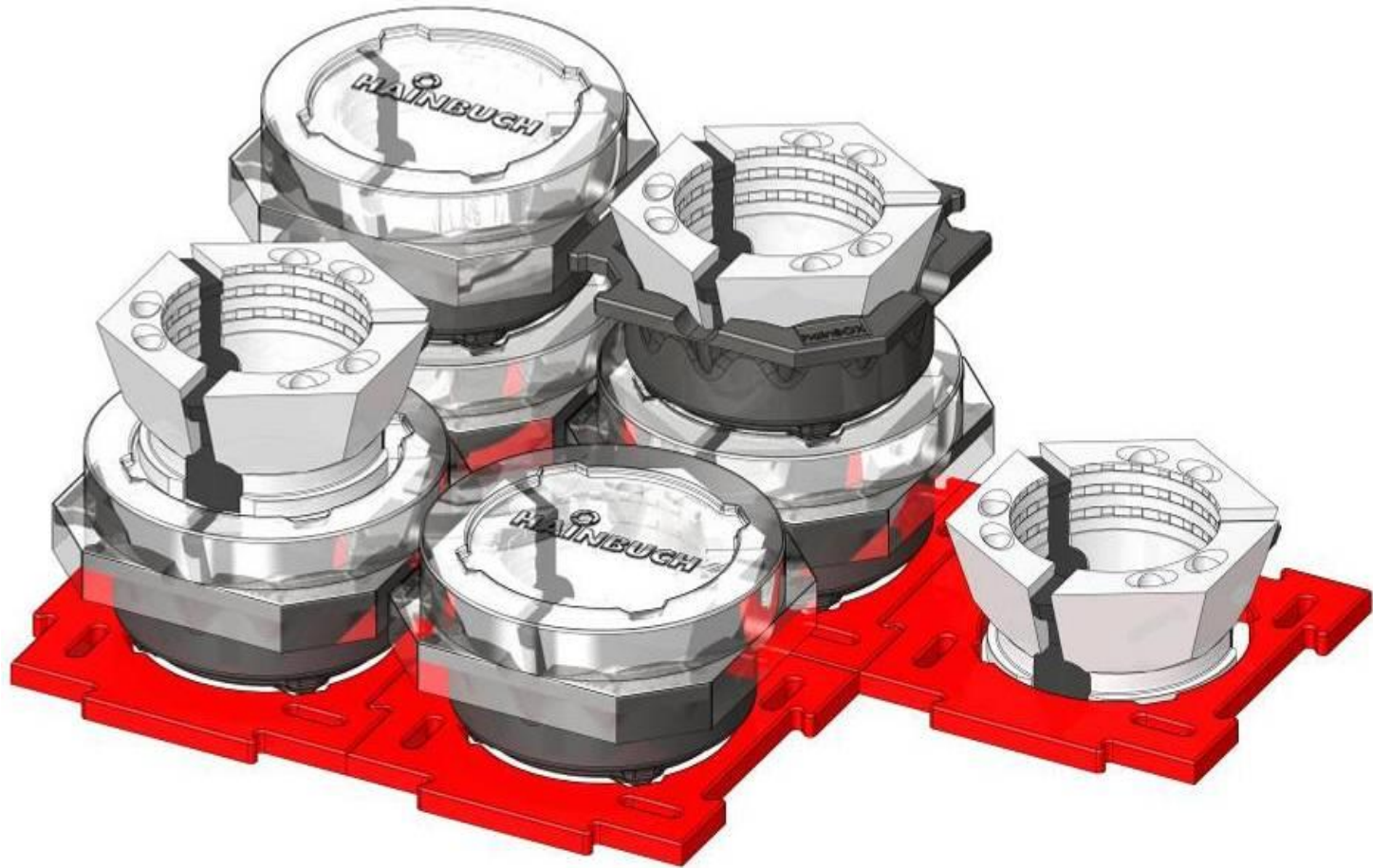
- Easily expandable
- Easily and individually fixed with slot holes



hainBOX

Stackable:

- Lid with the same contour as the sorting piece

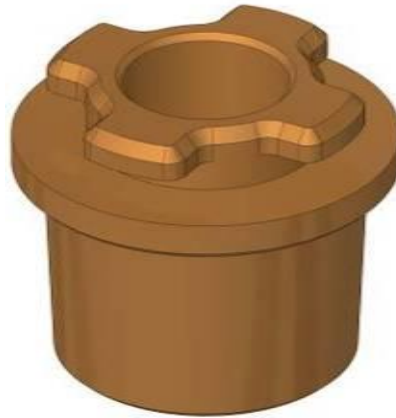


Standardized switchable adapters:

- Fitting many tool storage and preparation systems



SK 40



HSK
A63

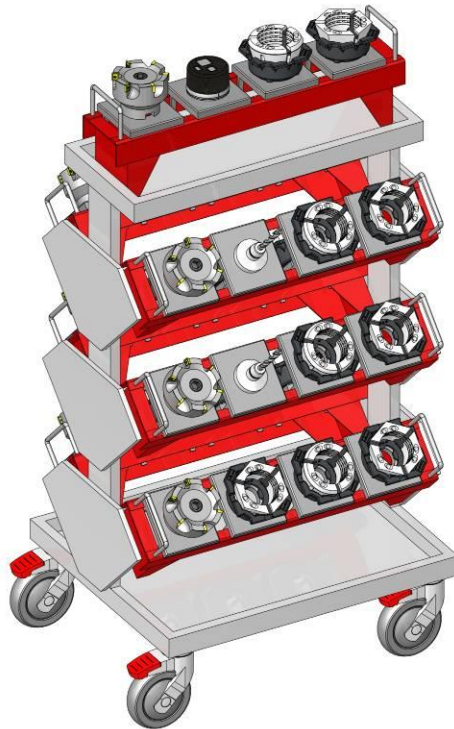


VDI 40

hainBOX

Overview

- Increased process reliability
- Faster set-up preparation



And what can we do for you?