



CENTROTEX S

Standardized quick change-over interface for small spindles.

- Different interfaces on the machines – Machine-overlapping utilization of clamping devices
- Variety of parts, therefore frequent and time-consuming set-up



- Flexibility in production
- High machine downtimes due to change-over
- Optimization of production

centroteX S – high speed clamping device change-over

- Clamping device change-over in < 1 min.
- Change-over accuracy between machine adapter and clamping device adapter $\leq 0,003$ mm – without alignment
- Machine-overlapping utilization of clamping devices
- Flexibility thanks to a wide range of clamping devices [incl. clamping devices from other manufacturers]
- Power actuation or fluid actuation of the clamping devices are possible
- For easier handling, Monteq mounting aid can be implemented for heavy clamping devices
- Handling Line for easy handling and safe storage



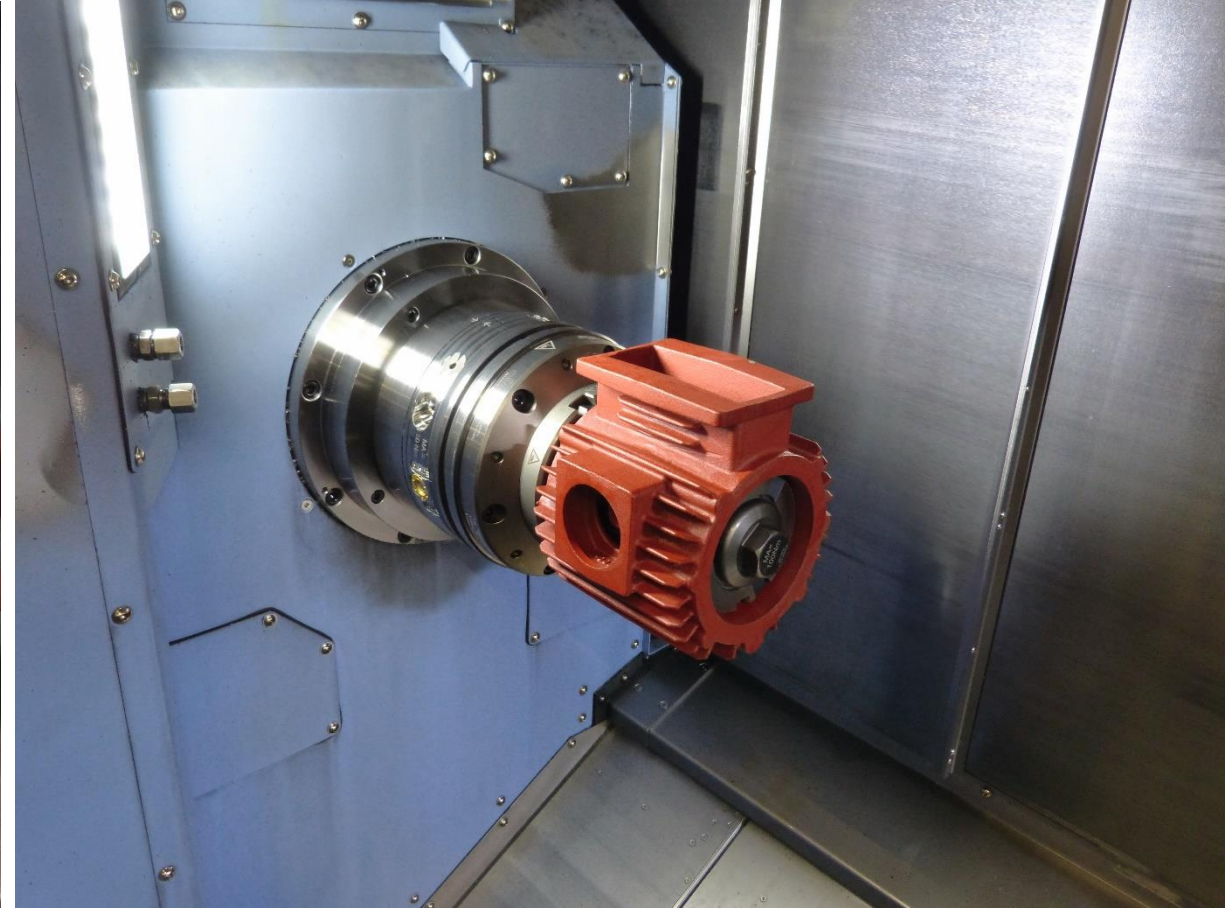
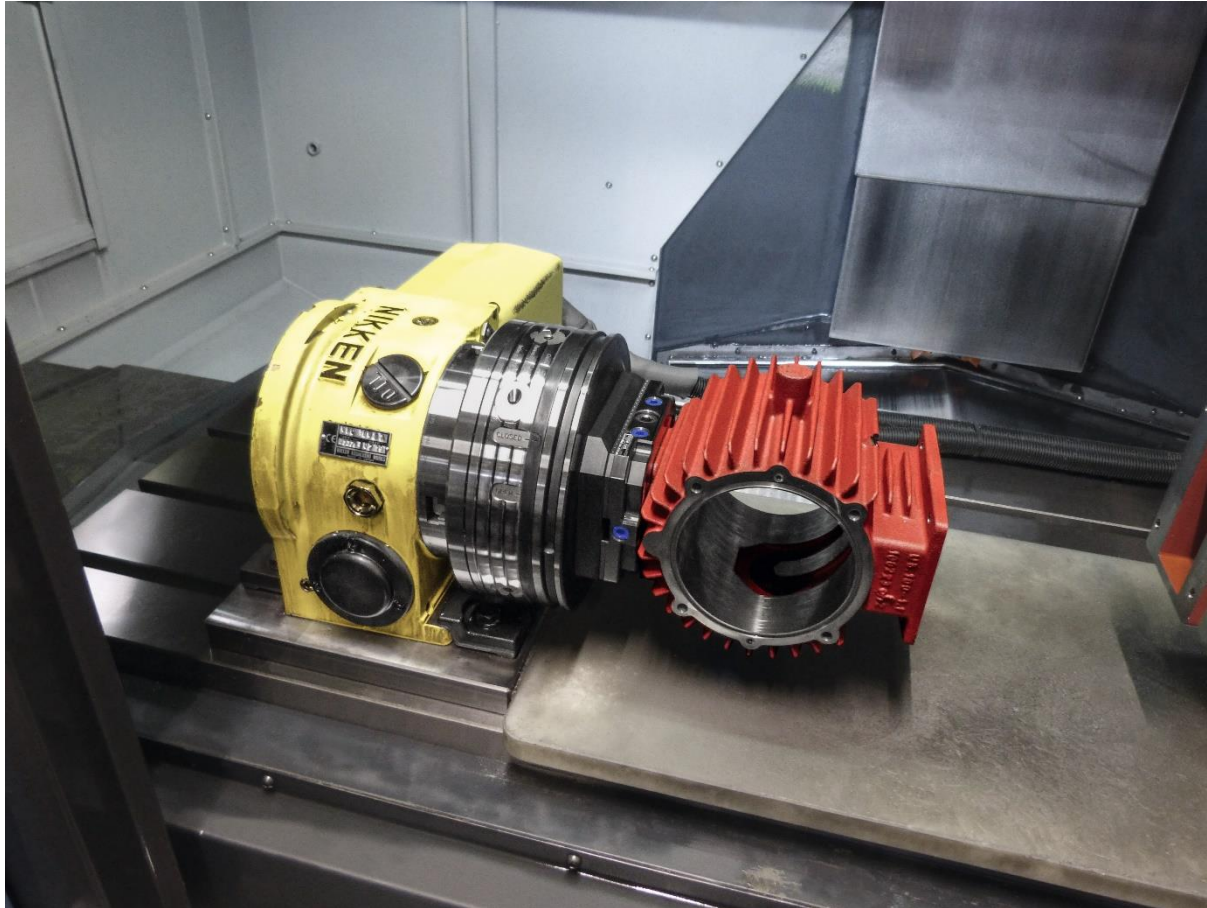
OUR SOLUTION

centroteX S – high speed clamping device change-over

- Clamping device actuation: power
- Locking: radial
- Max. clamping device \varnothing : 224 mm
- \varnothing capacity: 52 mm
- Max. RPM: determined by clamping device



CASE EXAMPLES



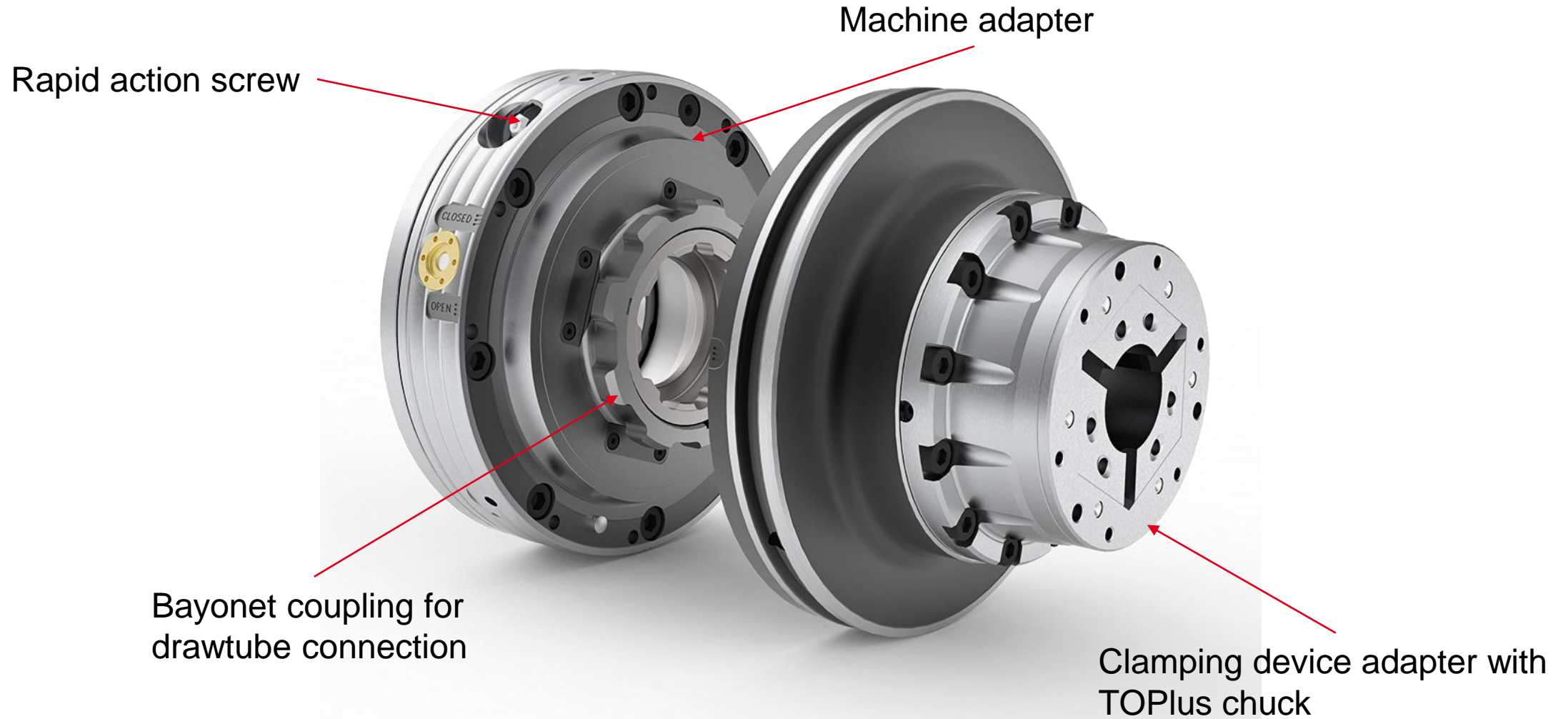
Source: Gebr. Becker GmbH

QUICK CHANGE-OVER SAVINGS

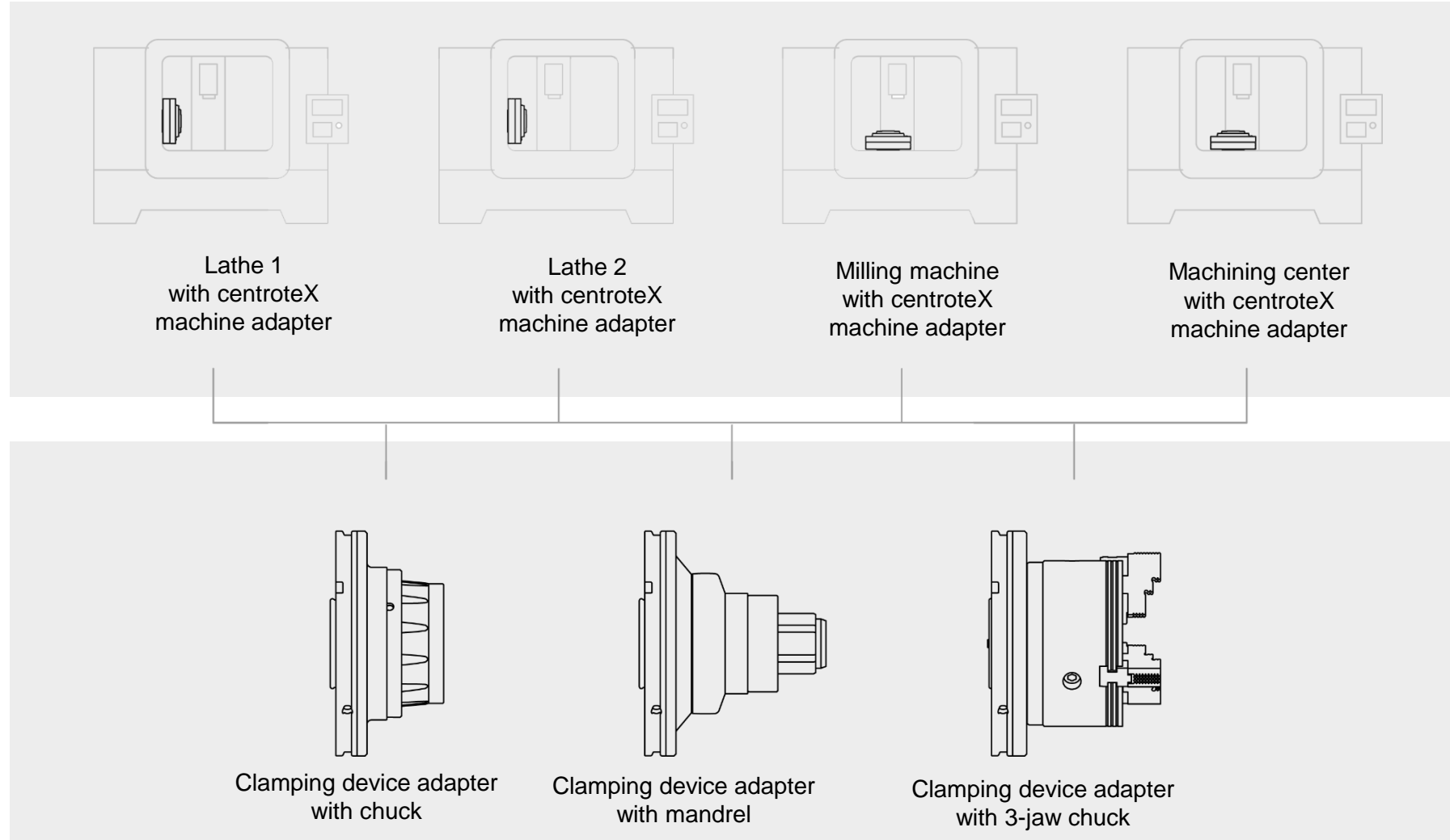


Clamping device change	Costs per month	Costs per year	Savings per year*
without quick change-over interface	752.50 EUR [35 min. x 21.5 workdays]	9,030.00 EUR [752.50 EUR x 12 months]	-
with centroteX S	21.50 EUR [1 min. x 21.5 workdays]	258.00 EUR [21.50 EUR x 12 months]	8,772.00 EUR + an additional 146 work hours [= 18 shifts]

* Based on one change-over per day. The more the change-overs the greater the savings!



VARIANTS



AVAILABLE SIZES – MACHINE ADAPTER

Spindle nose	In stock
A2-5	x
A2-6	x
AP140	x
AP170	x



AVAILABLE SIZES – CLAMPING DEVICE ADAPTER


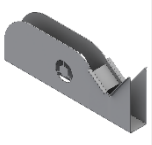




Clamping device	Variant	Size	In stock
TOPlus mini	pull-back	26	x
		40	x
		52	x
		65	x
	deadlength	26	x
		40	x
		52	x
		65	x
TOPlus premium	pull-back	26	x
		40	x
		52	x
		65	x

Clamping device	Variant	Size	In stock
SPANNTOP mini	pull-back	32	x
		42	x
		52	x
		65	x
	deadlength	32	x
		42	x
		52	x
		65	x
B-Top		165	x
		215	x
InoFlex VT-S		165	x
		215	x

AVAILABLE SIZES – CLAMPING DEVICE ADAPTER

Clamping device	Size	In stock
MANDO T211	0	x
	1	x
	2	x
	3	x
	4	x
	5	x
MANDO T212	XXS	x
	XS	x
	S	x
	0	x
	1	x
	2	x
	3	x
	4	x
5	x	

Clamping device	Size	In stock
MANDO T812	XXS	x
	XS	x
	S	x
	0	x
	1	x
	2	x
	3	x
	4	x
MAXXOS T211	A	x
	B	x
	C	x
	D	x
	E	x
	F	x

	Product category	Description
	Monteq S mounting aid	For quick, easy, safe and precise centroteX S clamping device assembly.
	Monteq holder – S	For storage of the Monteq S.
	Clamping device holder	For storing and transporting a clamping device with centroteX flange on a pallet.
	Handling Line Starter Set	Incl. 1x pallet, 2x clamping device holder, 2x frames, 1x cover.
	Cart	With tubular push handle for transporting half Euro pallets, total load capacity: 750 kg.
	Set-up hoist	For set-up even without an overhead crane.

» With centroteX we have extremely short set-up times. It is trouble-free and with low maintenance. centroteX has significantly advanced our process project. «

Uwe Thielert, Manufacturing Director Fertigungstechnik Nord

Please find more information about our products at:

www.hainbuch.com

As well as in our webshop at:

www.shop.hainbuch.com