

MANOK plus

manual stationary chuck and modular system

MANOK plus stationary chuck

In short:

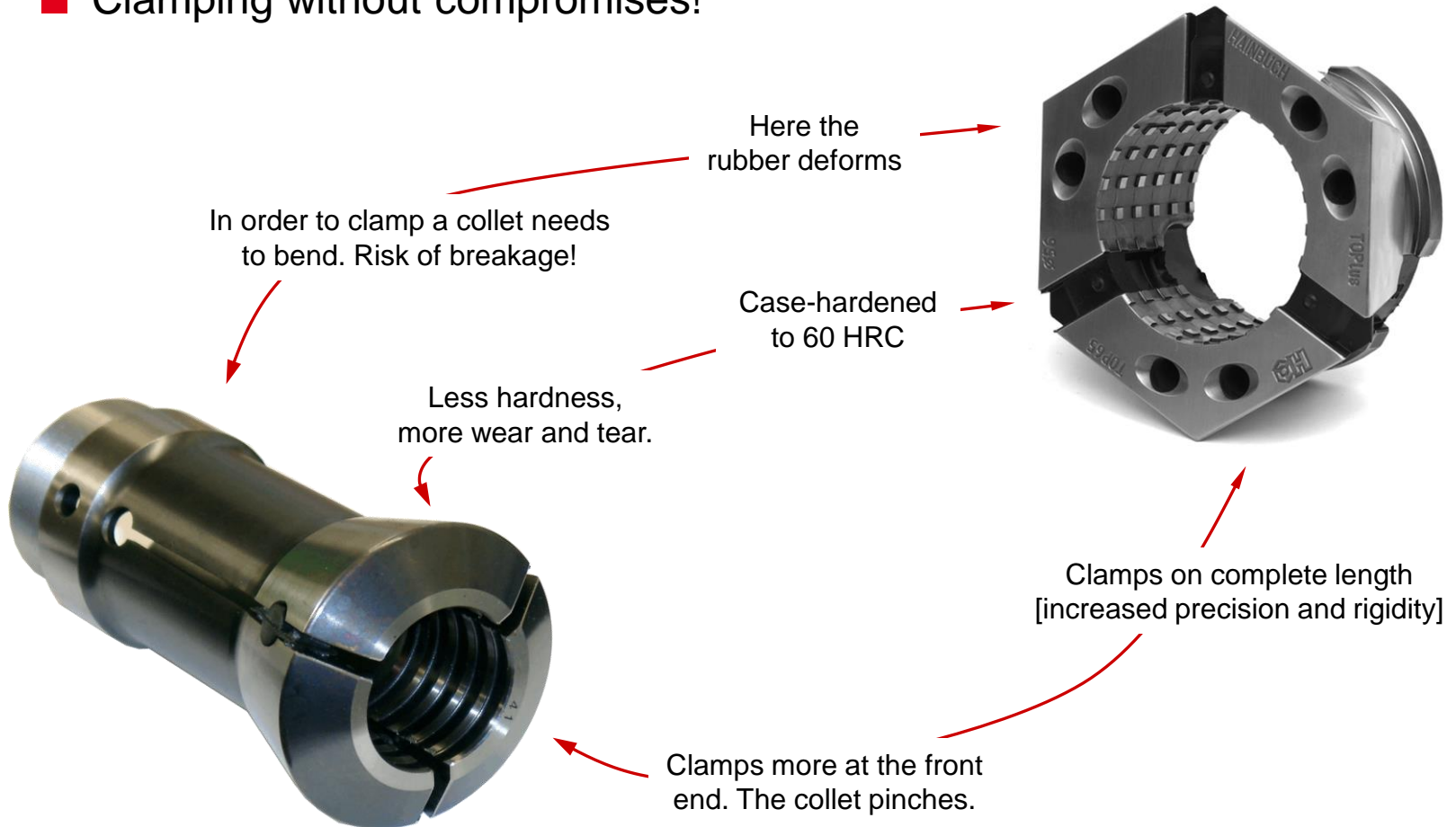
- High clamping force, manual actuation
- Minimal work piece deformation due to enclosed clamping
- Pull-back clamping
- Precise



MANOK plus stationary chuck

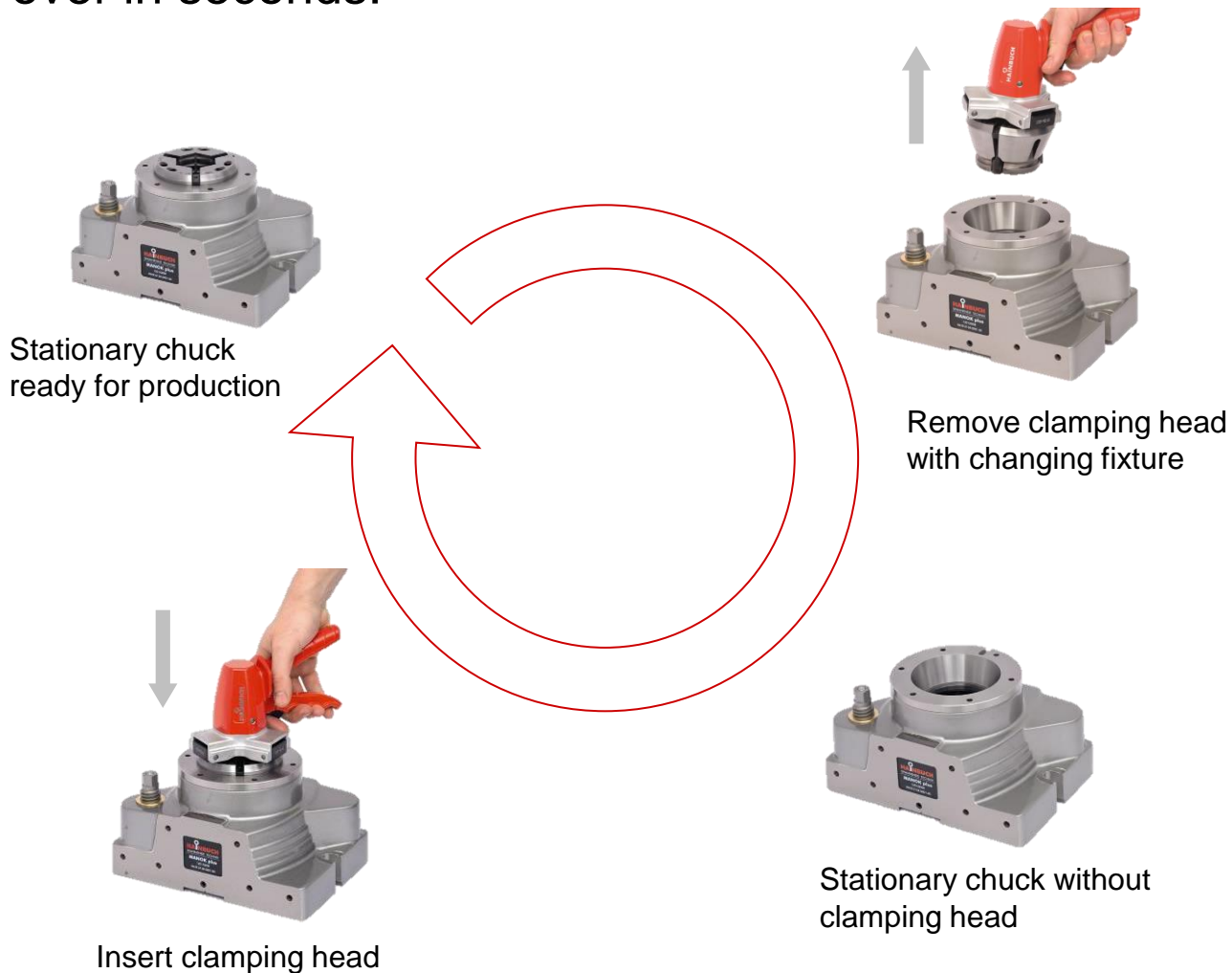
Comparison of clamping head and collet:

- Clamping without compromises!



MANOK plus stationary chuck

Change-over in seconds:



MANOK plus stationary chuck

What is the »plus« of the MANOK?

- Suitable for round and hex shaped clamping heads
- Fully compatible with the HAINBUCH modular system
- Removable standard end-stop
- Ground lateral faces → horizontally applicable



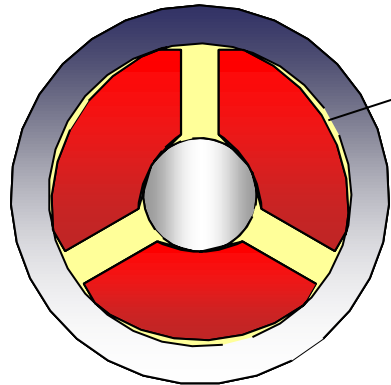
MANOK – the grandfather: small, red, strong!



MANOK plus – more strengths

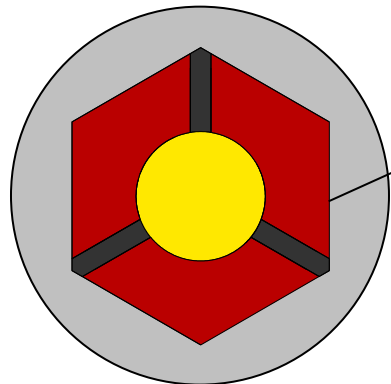
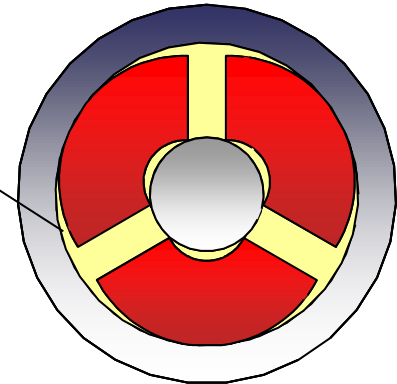
MANOK plus stationary chuck

Comparison of the round and hexagonal system:



Depending on the clamping position, there are small gaps between clamping element [red] and chuck body [grey].

- weak spot with regard to contamination
- lubrication is washed away

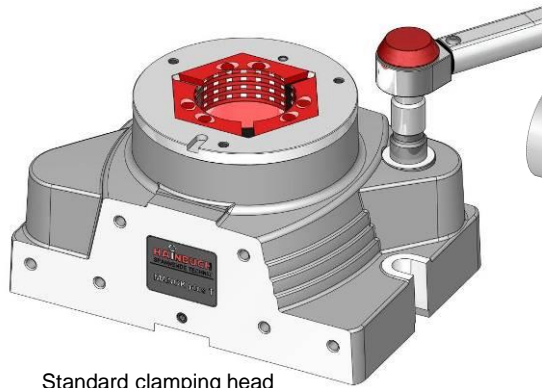


Full contact in all clamping positions.
Very resistant to contamination.

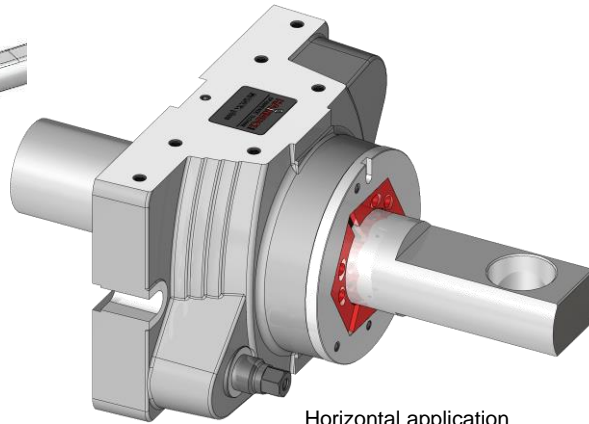
- lubrication is maintained
- at least 25% higher clamping force in the field
- less wear and tear
- less vibrations!

MANOK plus stationary chuck

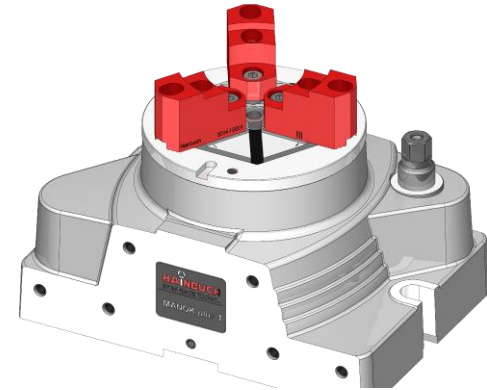
Fully compatible with the HAINBUCH modular system:



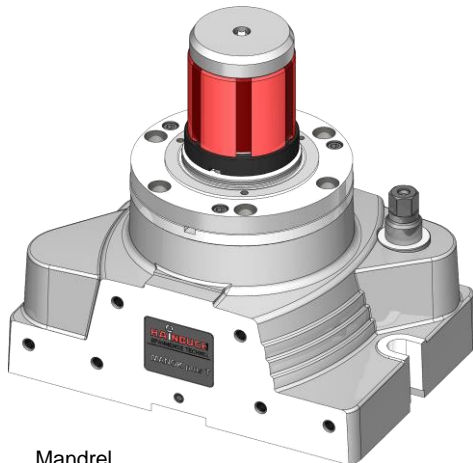
Standard clamping head



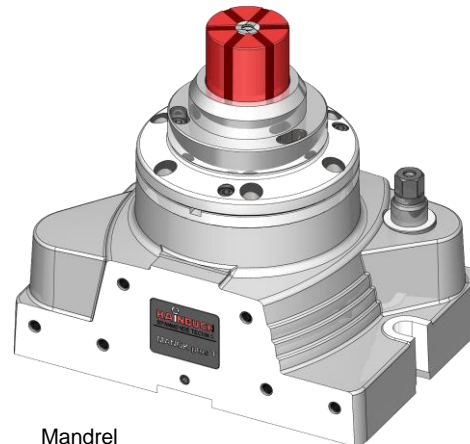
Horizontal application



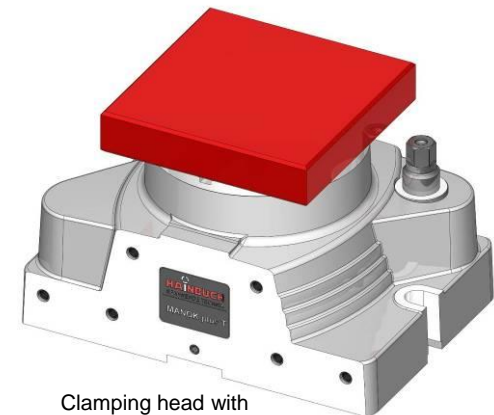
Jaw clamping



Mandrel
MANDO Adapt T211



Mandrel
MANDO Adapt T212

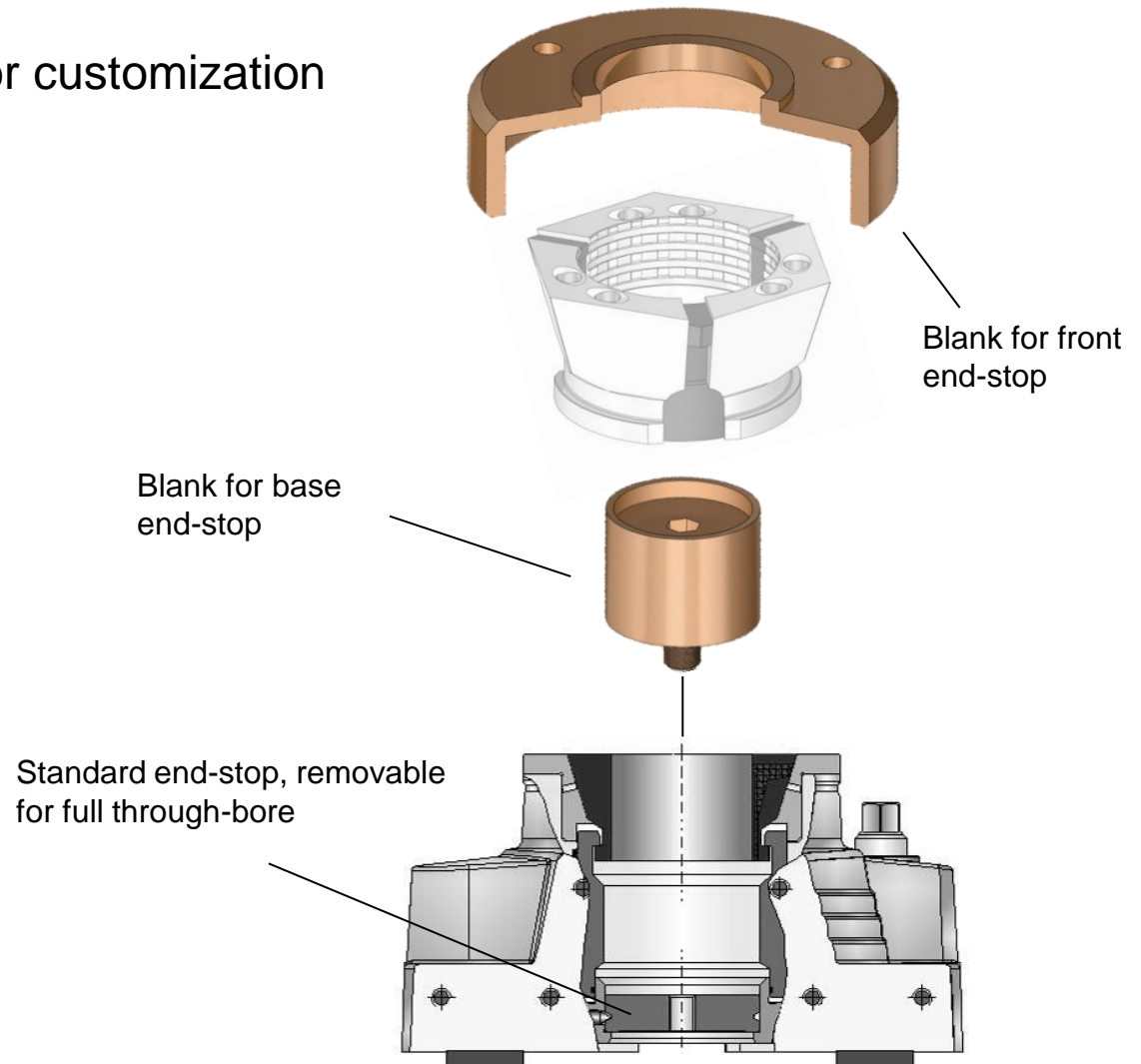


Clamping head with
customized work piece carrier

Accessory

End-stop blanks:

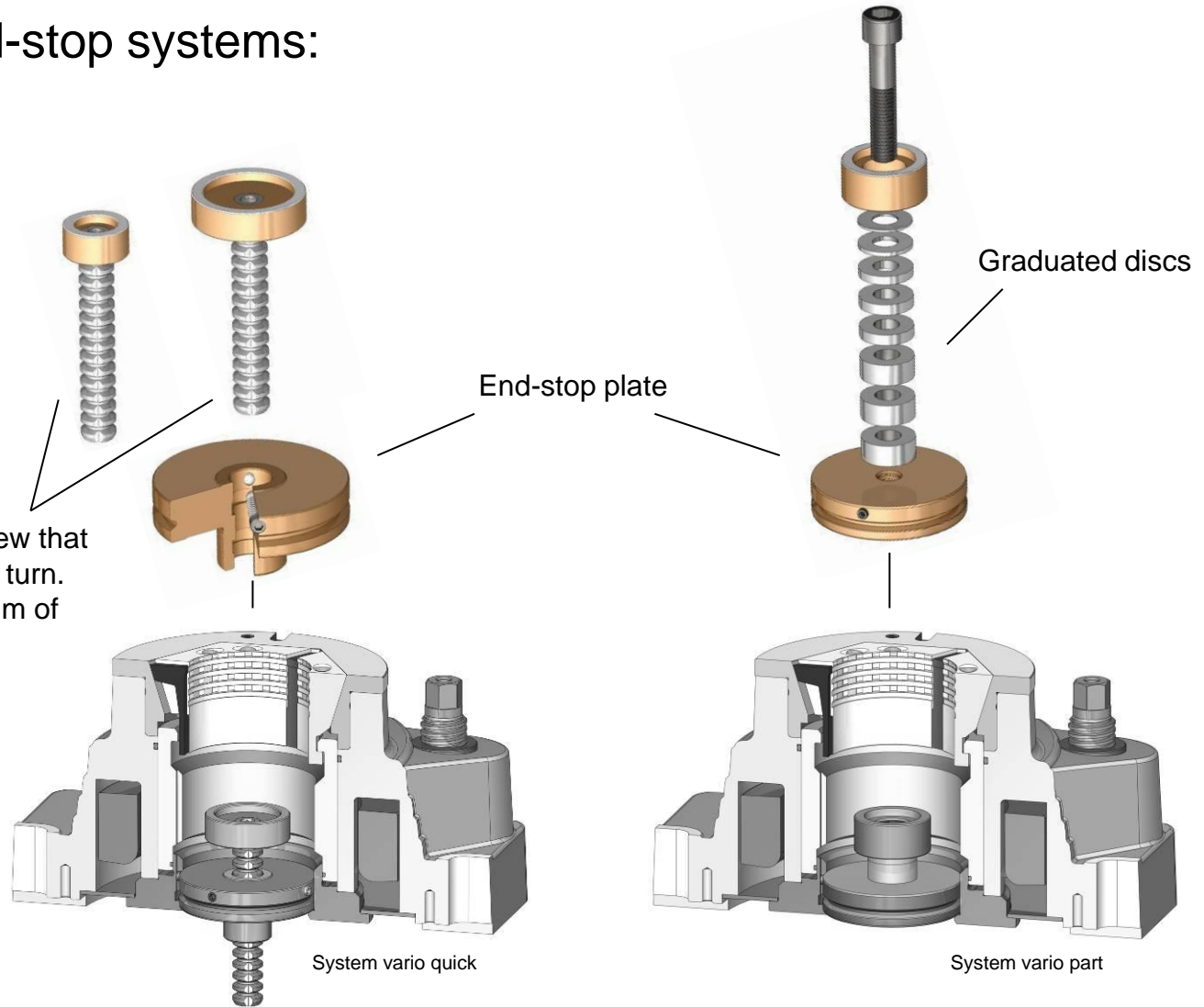
- »Soft« [45 HRC] for customization



Accessory

Adjustable end-stop systems:

Adjustable end-stop screw that locks in place every half turn. This corresponds to 1 mm of axial movement.



And what can we do for you?