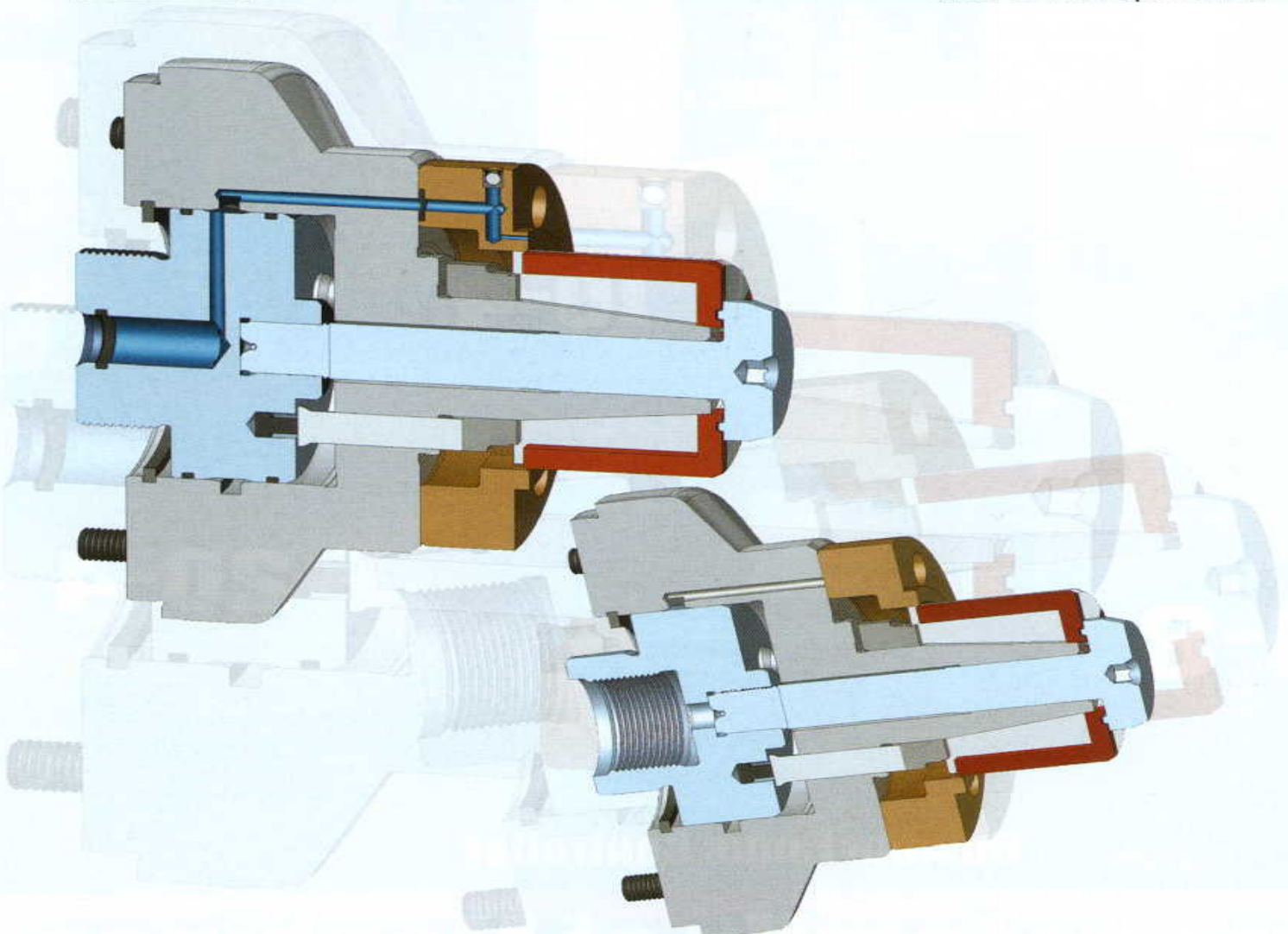




# INDUSTRY NEWS

New Products,  
Trends, Services,  
and Developments



## Mandrels with Air Supply Control from HAINBUCH

HAINBUCH—the clamping device manufacturer based in Marbach, Germany—is introducing a new generation of segmented mandrels for series production to the market. The clever aspect in this regard is that the old mandrels can be conveniently replaced by the new ones since the connection geometry, length, end-stop, and segmented clamping bushings are precisely the same. The air sensing control is new, and so are the optimized inner workings, which now have also been externally adapted to match the current HAINBUCH look.

The new MANDO segmented mandrels have what it takes, in the truest sense of the word. It is not just the fact that the user is required to change neither zero point nor NC program when changing from old to new, but thanks to the air supply control the user also profits from greater process reliability, longer machine runtimes, and longer maintenance intervals. And this is offered at a cost structure that is approximately one fifth of the cost structure of comparable mandrel systems previously offered. In this regard the new HAINBUCH MANDO standard mandrels are not more expensive than their predecessors, yet they offer significantly more.

---

Companies wishing to submit materials for inclusion in Industry News should contact Editor Russ Willcutt at editor@industrynews.com. Releases accompanied by color images will be given first consideration.

---